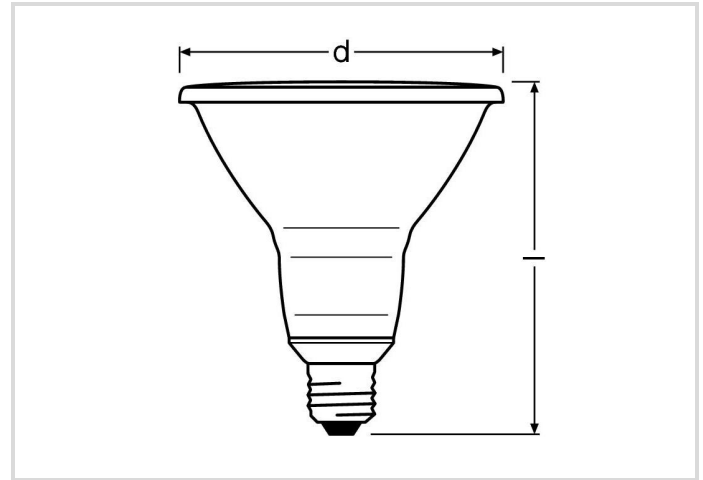


LED Star PAR30

RL-PAR30 75 DIM 8W/230/WFL/827/E27

Radium

Product Datasheet Date: 20.04.2026



A+



10,5



633



2700K



25 000h



Dimmable

General Data

Article No.	43119490
Kod	RL-PAR30 75 DIM 827/WFL/E27 RO
Product EAN	4058075105430
Box quantity (pcs.)	6
EAN Box	4058075105447
Gross weight of box in kg	1.576
Length of box in m	0.31
Width of box in m	0.21
Height of box in m	0.16
Product weight	102 g
Product status	● Nieaktywne

Electric Parameters

Wattage	10.5 W
Nominal power	10.5 W
Weighted energy consumption in 1000 hours	10,5 kWh
Power factor	≥ 0.7
Nominal voltage	220-240 V

LED Star PAR30

RL-PAR30 75 DIM 8W/230/WFL/827/E27

Radium

Electric Parameters

Voltage type	AC
Nominal current (mA)	38 mA
dimnable	Tak

Light Application Parameters

Rated lamp luminous flux	633 lm
Luminous flux in 90°-sector	633 lm
Luminous intensity	1700 cd
Beam angle	36 °
Efficacy	60,29 lm/W
Color temperature	2700 K
Color rendering index	≥ 80
Color Stability	≤ 6 sdcn

Service Life

Average life	25000 h
Mean service life	25000 h
No. switching cycles	100000
Early failure rate at 1000h	≤ 5.0 %

Specification

Energylabel notice	old label, no EPREL registration, no EU data sheet
Energylabel (E -> A++)	A+
Diameter	97 mm
Length	90 mm
Length	91 mm
Burning position	any
Mercury content	0.0 mg
Photobiological safety according to EN 62471	RG0
Lamp shape	Reflector
Base	E27
Colour	White

Notes on Operation

Degree of protection (IP)	IP20
Burning position	any
Ambient temperatures	-20...+40 °C

LED Star PAR30

RL-PAR30 75 DIM 8W/230/WFL/827/E27

Radium

Notes on Operation

With movement sensor	Nie
----------------------	-----

Information especially for EPREL

Energylabel notice	old label, no EPREL registration, no EU data sheet
Lighting technology	LED
Directional or non-directional light	DLS
Color tunable light source	Nie
Type of color temperature	SINGLE_VALUE
Flicker	1.0

Notes

PAR30-LED, remplacement avec lampes halogènes, lumière blanc chaud, corps en verre, gradable, culot E27. Lumière LED ne contient UV ou IR.

Please, refer to www.radium.de/recycling for notes on disposal of burned-out lamps as well as lamp breakage.

The "lifespan L70" described for LED lamps indicates the number of hours when the luminous flux has decreased to 70% of its initial value.

The optimal field 'info about service life' contains the frame conditions according to standards based on which the specific service life has been determined. So, for example, "12B50, 50Hz" means that the mean service life (B50) has been determined with a 12h switching cycle at mains (frequency 50Hz), "3B50, HF" is based on a 3h switching cycle at electronic control gear (high frequency).

Base



E27
IEC/EN 60061-1
sheet 7004-21-9

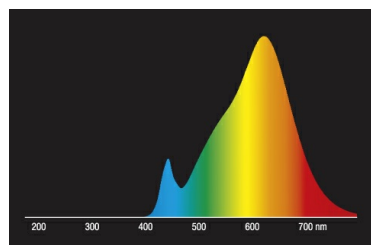
Spectrum

As daylight is a mixture of direct sunlight and light from the sky, the spectral distribution changes all the time due to the time of the day and the weather. The standard illuminant D65 corresponds to daylight with colour temperature of about 6500K.

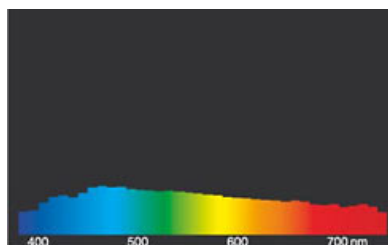
The colour of coloured LEDs depends on the chemical elements within the light generating chip. The coloured light is generated directly and does not need filtering.

White LEDs are either RGB (red + green + blue chip in one LED = light colour white) or blue LED-chips with yellow/orange phosphor in the resin.

Visible region from 380 to 780 nm; height of graph corresponding with relative spectral emission (400mW/klm)per 10nm.



LED Retrofit reflector lamps MR16 / PAR 16 2700K



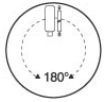
daylight(D 65)

Special features

LED Star PAR30

RL-PAR30 75 DIM 8W/230/WFL/827/E27

Radium



General notes

For LED replacement of halogen and incandescent lamps, we recommend direct replacement (1: 1) at the respective burning position. For new systems, the number of lamps in the circuit operated at control gear such as transformers or dimmers can be obtained from corresponding compatibility lists (if available). If there is no specification for the type of device or lamp required, for safety reasons, the replacement power shall be assumed as that of the original halogen type (eg "RL-MR16 35" -> 35W, independent of the real power consumption).

The technical design data in accordance with DIN and IEC. The producer does not take any responsibility for damage to persons or property in case of unsuitable operation or handling of the product. Operating data and dimensions are valid within the usual tolerances. Related lamp types (different bases, mains voltages) may be available on request. Sale and delivery are effected in accordance with the Radium Terms of Delivery and Payment valid on the day of conclusion of contract. Packing units offer economical advantages to the purchase and logistic department. Please match your quantity volume accordingly. For orders of a minimum quantity (clefs) with a lamp model the amount lower than the volume of each packaging unit, we will invoice 10 % additional charge per lamp type. Technical changes and terms of delivery are reserved. Manipulation of any kind to packaging or product is not permissible as this will violate Radium brand rights. Furthermore, technical properties of the product can change to its disadvantage or even destruction. Therefore, Radium cannot be responsible for consequential damages.

® = Registered trademark

Subject to change without notice. Errors and omissions excepted.

Safety instructions

To ensure full light efficiency and product life, the permissible temperature ranges must be observed and dry environment ensured. When operated with existing control gear, their compatibility with the lamp must be checked.

All technical data without guarantee.