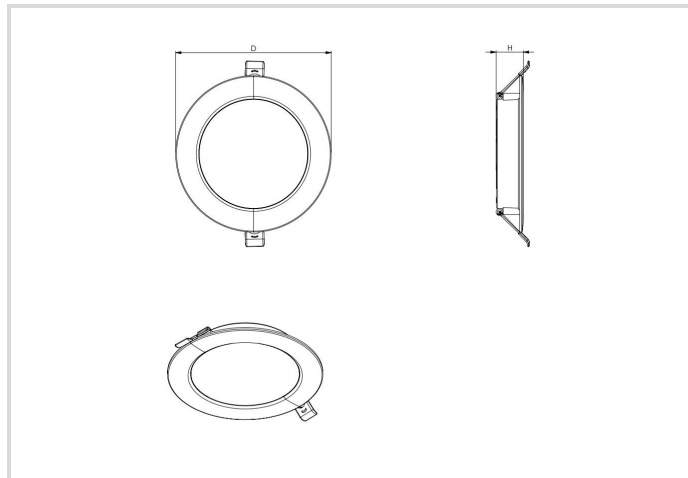


# LED Downlight Essence IP54

145-155mm 14.5W/840 IP54

# Radium

Product Datasheet Date: 23.04.2026



4000K



3  
YEARS  
GUARANTEE

## General Data

Article No.	DLEA5107
Code	DL E 145-155 14.5W/840 IP54
Product EAN	4003556015371
Box quantity (pcs.)	24
EAN Box	4003556415379
Gross weight of box in kg	4.259
Length of box in m	0.358
Width of box in m	0.226
Height of box in m	0.367
Product weight	120 g
Product status	<span style="color: green;">●</span> Active

## Electric Parameters

Max. system power	14.5 W
Nominal voltage	220-240 V
Voltage type	AC
Nominal current	113 mA
Nominal current (mA)	113 mA

# LED Downlight Essence IP54

145-155mm 14.5W/840 IP54

# Radium

## Electric Parameters

Number of poles	2
Inrush current	1 A
Mains frequency	50/60 Hz Hz
Dimming with push-button	No
Power Select	No

## Light Application Parameters

Luminous flux adjustable	No
Luminous flux	1600 lm
Luminous flux	1600 lm
Beam angle adjustable	No
Beam angle	110 °
Unified Glare Ratio (UGR)	28
Efficacy	110 lm/W
Total mains efficacy	110 lm/W
Colour of light adjustable	No
CCT Switch	No
Colour of light	White
Color temperature	4000 K
Color coordinate X	0.382
Color coordinate Y	0.398
Color rendering index	≥ 80
Color Stability	≤ 6 sdcn
Light sharing	Symmetric
With light sensor	No

## Service Life

Lifetime L70B50	30000 h
Life L80B10	30000 h
No. switching cycles	≥ 50 000
Guarantee	3

## Specification

Diameter	169 mm
Length	169 mm
Height/depth	26 mm

# LED Downlight Essence IP54

145-155mm 14.5W/840 IP54

# Radium

## Specification

Width	169 mm
Cable Length	0.1 m
Material	PC/ PS
Impact strength	IK03
Photobiological safety according to EN 62471	RG0
With light source	Yes
Exchangeable control gear	No

## Notes on Operation

Degree of protection (IP)	IP54
Connection type	Other
Type of wiring	Ending
Max. number of luminaires per B10 circuit breaker	68
Max. number of luminaires per B16 circuit breaker	108
Ambient temperatures	-20...+40 °C
Luminaire with limited surface temperature, sign "D" according to EN 60598-2-24	No
Filament test according to IEC 60695-2-11	650 °C - 30 s
Type of control gear	LED operating device voltage-controlled
With light sensor	No
With movement sensor	No
Emergency power supply integrated	No

## Information especially for EPREL

Lighting technology	LED
Mains/Non mains connectable	MLS
Directional or non-directional light	DLS
Color tunable light source	No
Type of color temperature	SINGLE_VALUE
Flicker	1.0
Stroboscopic effect	0.4
EPREL ID number	2677075

## Notes

Flat LED downlight IP54 for surface/recessed mounting and various ceiling cutouts, Power Select, uniform light emission.

Please, refer to [www.radium.de/recycling](http://www.radium.de/recycling) for notes on disposal of burned-out lamps as well as lamp breakage.

The "lifespan L70" described for LED lamps indicates the number of hours when the luminous flux has decreased to 70% of its initial value.

The optimal field 'info about service life' contains the frame conditions according to standards based on which the specific service life has been determined. So, for example, "12B50, 50Hz" means that the mean service life (B50) has been determined with a 12h switching cycle at mains (frequency 50Hz), "3B50, HF" is based on a 3h switching cycle at electronic control gear (high frequency).

# LED Downlight Essence IP54

145-155mm 14.5W/840 IP54

# Radium

## Special features



## General notes

The technical design data in accordance with DIN and IEC. The producer does not take any responsibility for damage to persons or property in case of unsuitable operation or handling of the product. Operating data and dimensions are valid within the usual tolerances. Related lamp types (different bases, mains voltages) may be available on request. Sale and delivery are effected in accordance with the Radium Terms of Delivery and Payment valid on the day of conclusion of contract. Packing units offer economical advantages to the purchase and logistic department. Please match your quantity volume accordingly. For orders of a minimum quantity (clefts) with a lamp model the amount lower than the volume of each packaging unit, we will invoice 10 % additional charge per lamp type. Technical changes and terms of delivery are reserved. Manipulation of any kind to packaging or product is not permissible as this will violate Radium brand rights. Furthermore, technical properties of the product can change to its disadvantage or even destruction. Therefore, Radium cannot be responsible for consequential damages.

® = Registered trademark

Subject to change without notice. Errors and omissions excepted.

All technical data without guarantee.