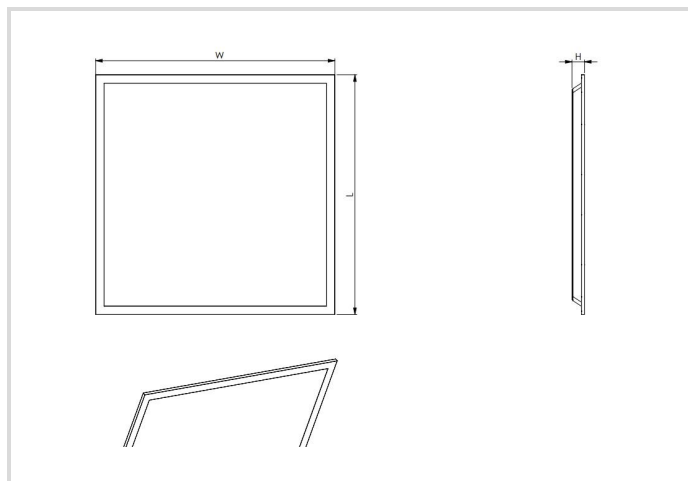


# LED Grid Luminaire Essence, Panel 625

33W/840 IP40

# Radium

Product Datasheet Date: 23.04.2026



4000K



3  
YEARS  
GUARANTEE

## General Data

Article No.	PNLA5074
Code	PL E 625 33W/840 IP40
Product EAN	4003556015043
Box quantity (pcs.)	6
EAN Box	4003556415041
Gross weight of box in kg	11.64
Length of box in m	0.68
Width of box in m	0.24
Height of box in m	0.643
Product weight	1430 g
Product status	● Active

## Electric Parameters

Max. system power	33.0 W
Nominal voltage	220-240 V
Voltage type	AC
Nominal current	167 mA
Nominal current (mA)	167 mA

## Electric Parameters

Number of poles	2
Inrush current	25.4 A
Mains frequency	50/60 Hz Hz
Dimming with push-button	No

## Light Application Parameters

Luminous flux adjustable	No
Luminous flux	4000 lm
Rated luminous flux according to IEC 62722-2-1	4000 lm
Beam angle adjustable	No
Beam angle	110 °
Unified Glare Ratio (UGR)	22
Efficacy	120 lm/W
Total mains efficacy	120 lm/W
Colour of light adjustable	No
CCT Switch	No
Colour of light	White
Color temperature	4000 K
Color coordinate X	0.382
Color coordinate Y	0.398
Color rendering index	≥ 80
Color Stability	≤ 3 sdcn
Light sharing	Symmetric
With light sensor	No

## Service Life

Lifetime L70B50	50000 h
Life L80B10	50000 h
No. switching cycles	≥ 100.000
Guarantee	3

## Specification

Length	620 mm
Height/depth	33 mm
Width	620 mm
Material	Steel sheet/ PS

## Specification

Impact strength	IK02
Photobiological safety according to EN 62471	RG0
With light source	Yes
Exchangeable control gear	No

## Notes on Operation

Degree of protection (IP)	IP40
Connection type	Push-in clamp
Type of wiring	Ending
Max. number of luminaires per B10 circuit breaker	22
Max. number of luminaires per B16 circuit breaker	35
Luminaire with limited surface temperature, sign "D" according to EN 60598-2-24	No
Filament test according to IEC 60695-2-11	650 °C - 30 s
Type of control gear	LED operating device voltage-controlled
With light sensor	No
With movement sensor	No
Suitable for emergency lighting	No
Emergency power supply integrated	No

## Information especially for EPREL

Contains a lightsource of energy efficiency class	D
Mains/Non mains connectable	MLS
Directional or non-directional light	NDLS
Color tunable light source	No
Type of color temperature	SINGLE_VALUE
Flickering value Pst LM	1
Stroboscope effect value SVM	0.4
EPREL ID number	2654264

## Notes

Flat IP40 LED retrofit panel 625x625 mm, 33W with integrated LED driver, low glare, light color 4000K

Please, refer to [www.radium.de/recycling](http://www.radium.de/recycling) for notes on disposal of burned-out lamps as well as lamp breakage.

The "lifespan L70" described for LED lamps indicates the number of hours when the luminous flux has decreased to 70% of its initial value.

The optimal field 'info about service life' contains the frame conditions according to standards based on which the specific service life has been determined. So, for example, "12B50, 50Hz" means that the mean service life (B50) has been determined with a 12h switching cycle at mains (frequency 50Hz), "3B50, HF" is based on a 3h switching cycle at electronic control gear (high frequency).

# LED Grid Luminaire Essence, Panel 625

33W/840 IP40

# Radium

## Special features



## General notes

The technical design data in accordance with DIN and IEC. The producer does not take any responsibility for damage to persons or property in case of unsuitable operation or handling of the product. Operating data and dimensions are valid within the usual tolerances. Related lamp types (different bases, mains voltages) may be available on request. Sale and delivery are effected in accordance with the Radium Terms of Delivery and Payment valid on the day of conclusion of contract. Packing units offer economical advantages to the purchase and logistic department. Please match your quantity volume accordingly. For orders of a minimum quantity (clefts) with a lamp model the amount lower than the volume of each packaging unit, we will invoice 10 % additional charge per lamp type. Technical changes and terms of delivery are reserved. Manipulation of any kind to packaging or product is not permissible as this will violate Radium brand rights. Furthermore, technical properties of the product can change to its disadvantage or even destruction. Therefore, Radium cannot be responsible for consequential damages.

® = Registered trademark

Subject to change without notice. Errors and omissions excepted.

All technical data without guarantee.