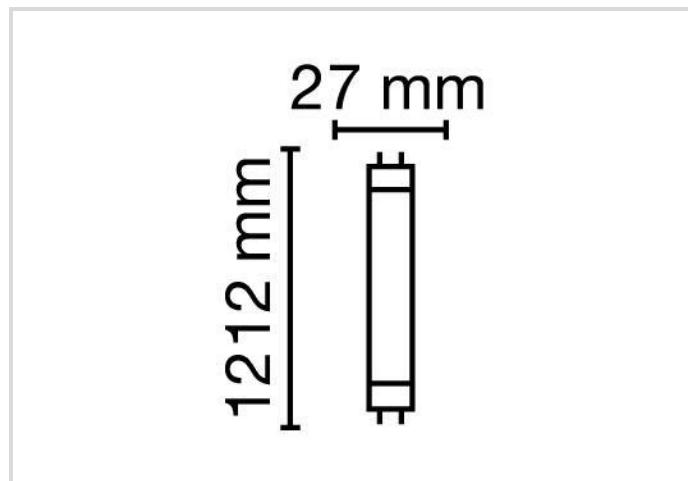


# LED Star T8-RetroFit

RL-T8 36 HO 15,1W/865/G13 EM

# Radium

Product Datasheet Date: 18.04.2026



A++



C



15,1



2500



6500K



60 000h



5 YEARS  
GUARANTEE

## General Data

Article No.	43519216
Kod	RL-T8 36 HO 865/G13 EM
Product EAN	4008597192166
Box quantity (pcs.)	10
EAN Box	4008597492167
Gross weight of box in kg	3.63
Length of box in m	1.33
Width of box in m	0.212
Height of box in m	0.11
Product weight	220 g
Product status	<span style="color: red;">●</span> Nieaktywne

## Electric Parameters

Wattage	15.1 W
Nominal power	15.1 W
Weighted energy consumption in 1000 hours	16 kWh
Lamp power	15.1-15.1 W
Power factor	> 0.90

## Electric Parameters

Nominal voltage	220-240 V
Mains Voltage	220 - 240 V
Voltage type	AC
Nominal current	70-70 mA
Nominal current (mA)	70 mA
max. no. of lamps at 10A automatic fuse	64
max. no. of lamps at 16A automatic fuse	103
dimmmable	Nie

## Light Application Parameters

Luminous flux	2500 lm
Rated lamp luminous flux	2500 lm
Luminous flux in 90°-sector	2500 lm lm
Luminous flux in 120°-sector	2500 lm lm
Lumen-Output mark	HO
Beam angle	190 °
Efficacy	165 lm/W
Total mains efficacy	165 lm/W
Color temperature	6500 K
Color rendering index	≥ 80
Color rendering index nominal	80-89
Color Stability	≤ 5 sdc <sub>m</sub>

## Service Life

Average life	60000 h
Mean service life	60000 h
No. switching cycles	200000
Lamp survival factor at 6000h	≥ 0.90
Early failure rate at 1000h	≤ 5.0 %
Guarantee	5 years

## Specification

Energylabel notice	old label, no EPREL registration, no EU data sheet
Energylabel (G -> A)	C
Energylabel (E -> A++)	A++
Diameter	26,7 mm

## Specification

Tube diameter	26 mm
Length	1212 mm
Length	1200 mm
Burning position	any
Mercury content	0.0 mg
Material	Glass
Shatterproof	Nie
Photobiological safety according to EN 62471	RG0
Lamp shape	Tube, double-ended
Base	G13
Colour	White

## Notes on Operation

Degree of protection (IP)	IP20
Burning position	any
Mode of operation	CCG, 230V
Range of storage temperature	-20...+80 °C
Ambient temperatures	-20...+50 °C
With movement sensor	Nie

## Information especially for EPREL

Energylabel notice	old label, no EPREL registration, no EU data sheet
Lighting technology	LED
Color tunable light source	Nie
Type of color temperature	SINGLE_VALUE
Color stability MacAdams EPREL	5
Life factor EPREL	0.9
Lumen maintenance EPREL	0.98
EPREL ID number	874828

## Miscellaneous

Similar products	43819786, 43720047, 43720051, 43719793
------------------	--

## Notes

T8 tubular LED lamp for exchange with fluorescent lamps, daylight, glass bulb, non-dim, base G13. Please, note installation instructions!

Please, refer to [www.radium.de/recycling](http://www.radium.de/recycling) for notes on disposal of burned-out lamps as well as lamp breakage.

The "lifespan L70" described for LED lamps indicates the number of hours when the luminous flux has decreased to 70% of its initial value. The optimal field 'info about service life' contains the frame conditions according to standards based on which the specific service life has been determined. So, for example, "12B50, 50Hz" means that the mean service life (B50) has been determined with a 12h switching cycle at mains (frequency 50Hz), "3B50, HF" is based on a 3h switching cycle at electronic control gear (high frequency).

# LED Star T8-RetroFit

RL-T8 36 HO 15,1W/865/G13 EM

# Radium

## Base



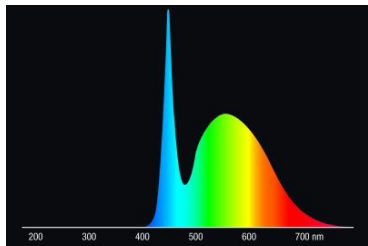
G13  
IEC/EN 60061-1  
sheet 7004-51-8

## Spectrum

As daylight is a mixture of direct sunlight and light from the sky, the spectral distribution changes all the time due to the time of the day and the weather. The standard illuminant D65 corresponds to daylight with colour temperature of about 6500K.

The colour of coloured LEDs depends on the chemical elements within the light generating chip. The coloured light is generated directly and does not need filtering.

White LEDs are either RGB (red + green + blue chip in one LED = light colour white) or blue LED-chips with yellow/orange phosphor in the resin. Visible region from 380 to 780 nm; height of graph corresponding with relative spectral emission (400mW/klm)per 10nm.



LED retrofit tube lamps for fluorescent lamps 6500K



daylight(D 65)

## Special features



## General notes

Please note the installation instructions when replacing fluorescent lamps with LED tubes. Some LED lamp types are only suitable for 1: 1 replacement at the respective burning position: with CCG by using the enclosed starter, with ECG with compatible control gear. Others can be operated directly on 230V (conversion of the luminaire), others again can 'do' CCG as well as 230V or all 3 variations. Neo tubes need an external LED driver (replacement of the control gear). LED Neo tubes are dimmable, all other LED tubes are not dimmable.

The technical design data in accordance with DIN and IEC. The producer does not take any responsibility for damage to persons or property in case of unsuitable operation or handling of the product. Operating data and dimensions are valid within the usual tolerances. Related lamp types (different bases, mains voltages) may be available on request. Sale and delivery are effected in accordance with the Radium Terms of Delivery and Payment valid on the day of conclusion of contract. Packing units offer economical advantages to the purchase and logistic department. Please match your quantity volume accordingly. For orders of a minimum quantity (clefs) with a lamp model the amount lower than the volume of each packaging unit, we will invoice 10 % additional charge per lamp type. Technical changes and terms of delivery are reserved. Manipulation of any kind to packaging or product is not permissible as this will violate Radium brand rights. Furthermore, technical properties of the product can change to its disadvantage or even destruction. Therefore, Radium cannot be responsible for consequential damages.

® = Registered trademark

Subject to change without notice. Errors and omissions excepted.

## Safety instructions

To ensure full light efficiency and product life, the permissible temperature ranges must be observed and dry environment ensured. When operated with existing control gear, their compatibility with the lamp must be checked.

All technical data without guarantee.