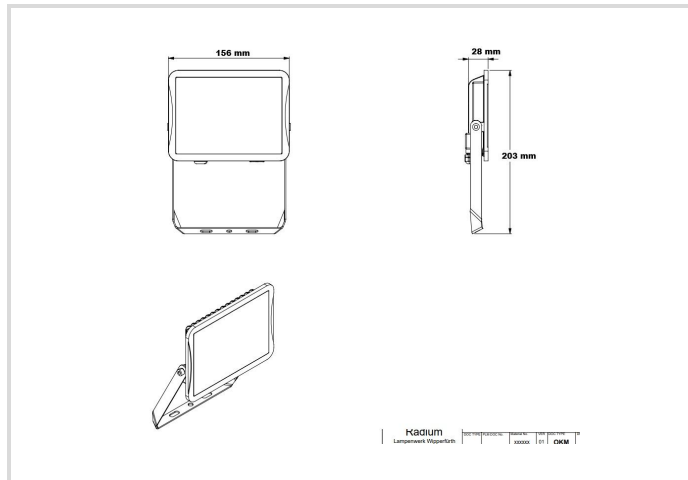


LED Floodlight Star IP65

3000/840 black

Radium

Product Datasheet Date: 15.05.2026



4000K

General Data

| | |
|---------------------------|-----------------------|
| Article No. | FLLA5086 |
| Codice | FL S 3000/840 BK IP65 |
| Product EAN | 4003556015203 |
| Box quantity (pcs.) | 6 |
| EAN Box | 4003556415201 |
| Gross weight of box in kg | 3.659 |
| Length of box in m | 0.382 |
| Width of box in m | 0.174 |
| Height of box in m | 0.228 |
| Product weight | 510 g |
| Product status | ● Attivo |

Electric Parameters

| | |
|----------------------|-----------|
| Max. system power | 22.2 W |
| Nominal voltage | 220-240 V |
| Voltage type | AC |
| Nominal current | 112 mA |
| Nominal current (mA) | 112 mA |

Electric Parameters

| | |
|--------------------------|-------------|
| Inrush current | 20 A |
| Mains frequency | 50/60 Hz Hz |
| Dimming with push-button | No |

Light Application Parameters

| | |
|----------------------------|-----------|
| Luminous flux adjustable | No |
| Luminous flux | 3000 lm |
| Luminous flux | 3000 lm |
| Beam angle adjustable | No |
| Beam angle | 100 ° |
| Unified Glare Ratio (UGR) | 31 |
| Efficacy | 135 lm/W |
| Total mains efficacy | 135 lm/W |
| Colour of light adjustable | No |
| CCT Switch | No |
| Colour of light | White |
| Color temperature | 4000 K |
| Color coordinate X | 0.382 |
| Color coordinate Y | 0.398 |
| Color rendering index | ≥ 80 |
| Color Stability | ≤ 6 sdcn |
| Light sharing | Symmetric |
| With light sensor | No |

Service Life

| | |
|----------------------|----------|
| Lifetime L70B50 | 50000 h |
| Life L80B10 | 50000 h |
| No. switching cycles | ≥ 100000 |
| Guarantee | 5 |

Specification

| | |
|-----------------|------------------|
| Length | 156 mm |
| Height/depth | 203 mm |
| Width | 28 mm |
| Material | Aluminium/ Glass |
| Impact strength | IK06 |

Specification

| | |
|--|-----|
| Photobiological safety according to EN 62471 | RG0 |
| With light source | Si |
| Exchangeable control gear | No |

Notes on Operation

| | |
|---|---|
| Degree of protection (IP) | IP65 |
| Connection type | Other |
| Type of connection | Cable |
| Type of wiring | Ending |
| Max. number of luminaires per B10 circuit breaker | 7 |
| Max. number of luminaires per B16 circuit breaker | 12 |
| Luminaire with limited surface temperature, sign "D" according to EN 60598-2-24 | No |
| Filament test according to IEC 60695-2-11 | 650 °C - 30 s |
| Mounting type | Surface mounted |
| Type of control gear | LED operating device voltage-controlled |
| With light sensor | No |
| With movement sensor | No |
| Emergency power supply integrated | No |

Information especially for EPREL

| | |
|---|---------|
| Contains a lightsource of energy efficiency class | C |
| Lighting technology | LED |
| Mains/Non mains connectable | MLS |
| Color tunable light source | No |
| Flicker | 1.0 |
| Stroboscopic effect | 0.4 |
| EPREL ID number | 2655266 |

Notes

Neutral white floodlight for indoor and outdoor use, robust aluminum housing in a small-sized design, integrated LED driver, slightly frosted lens.

Please, refer to www.radium.de/recycling for notes on disposal of burned-out lamps as well as lamp breakage.

The "lifespan L70" described for LED lamps indicates the number of hours when the luminous flux has decreased to 70% of its initial value.

The optimal field 'info about service life' contains the frame conditions according to standards based on which the specific service life has been determined. So, for example, "12B50, 50Hz" means that the mean service life (B50) has been determined with a 12h switching cycle at mains (frequency 50Hz), "3B50, HF" is based on a 3h switching cycle at electronic control gear (high frequency).

Spectrum

As daylight is a mixture of direct sunlight and light from the sky, the spectral distribution changes all the time due to the time of the day and the weather. The standard illuminant D65 corresponds to daylight with colour temperature of about 6500K.

The colour of coloured LEDs depends on the chemical elements within the light generating chip. The coloured light is generated directly and does not need filtering.

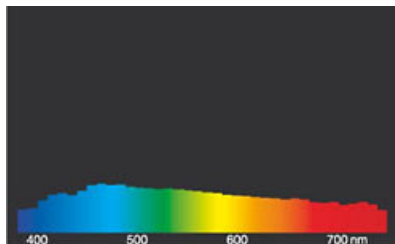
White LEDs are either RGB (red + green + blue chip in one LED = light colour white) or blue LED-chips with yellow/orange phosphor in the resin.

LED Floodlight Star IP65

3000/840 black

Radium

Visible region from 380 to 780 nm; height of graph corresponding with relative spectral emission (400mW/klm)per 10nm.



daylight(D 65)

Special features



General notes

The technical design data in accordance with DIN and IEC. The producer does not take any responsibility for damage to persons or property in case of unsuitable operation or handling of the product. Operating data and dimensions are valid within the usual tolerances. Related lamp types (different bases, mains voltages) may be available on request. Sale and delivery are effected in accordance with the Radium Terms of Delivery and Payment valid on the day of conclusion of contract. Packing units offer economical advantages to the purchase and logistic department. Please match your quantity volume accordingly. For orders of a minimum quantity (clefts) with a lamp model the amount lower than the volume of each packaging unit, we will invoice 10 % additional charge per lamp type. Technical changes and terms of delivery are reserved. Manipulation of any kind to packaging or product is not permissible as this will violate Radium brand rights. Furthermore, technical properties of the product can change to its disadvantage or even destruction. Therefore, Radium cannot be responsible for consequential damages.

® = Registered trademark

Subject to change without notice. Errors and omissions excepted.

All technical data without guarantee.