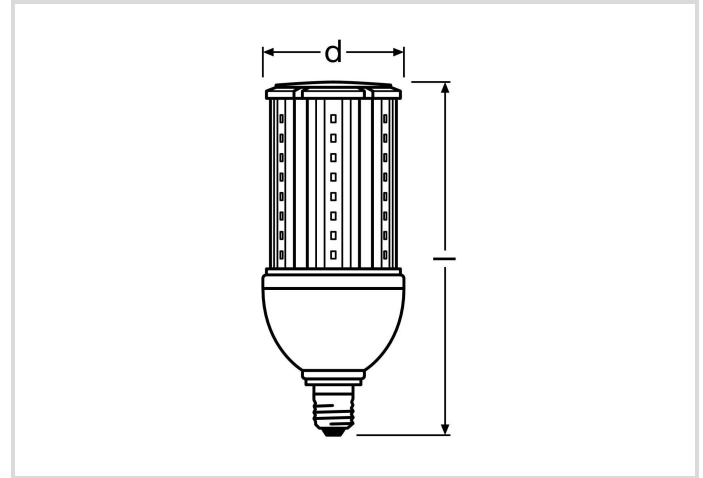


LED HPM-Retrofit

RL-HRL50 18W/840/230/E27

Radium

Product Datasheet Date: 18.04.2026



A+



2000



4000K



32 000h



General Data

Article No.	42619105
Codice	RL-HRL50 840/E27
Product EAN	4008597191053
Box quantity (pcs.)	6
EAN Box	4008597491054
Gross weight of box in kg	2.712
Length of box in m	0.28
Width of box in m	0.19
Height of box in m	0.22
Product weight	365 g
Product status	● Inattivo

Electric Parameters

Wattage	18.0 W
Weighted energy consumption in 1000 hours	18 kWh
Lamp power	18.0-18.0 W
Power factor	> 0,9
Nominal voltage	220-240 V

Electric Parameters

Mains Voltage	220 - 240 V
Voltage type	AC
Nominal current	85-85 mA
Nominal current (mA)	85 mA
Excess voltage protection	4 kV
dimnable	No

Light Application Parameters

Rated lamp luminous flux	2000 lm
Beam angle	280 °
Efficacy	111.11 lm/W
Total mains efficacy	111.11 lm/W
Light colour	Neutral white
Color temperature	4000 K
Color rendering index	≥ 80
Color Stability	≤ 6 sdcms

Service Life

Average life	32000 h
Mean service life	32000 h
No. switching cycles	100000
Lamp survival factor at 6000h	≥ 0.90
Early failure rate at 1000h	≤ 5.0 %
Guarantee	3 years

Specification

Energylabel notice	old label, no EPREL registration, no EU data sheet
Energylabel (E -> A++)	A+
Diameter	70 mm
Length	166 mm
Length	166 mm
Burning position	any
Mercury content	0.0 mg
Material	Glass
Photobiological safety according to EN 62471	RG0
Lamp shape	Tube, single-ended

Specification

Base	E27
Colour	White

Notes on Operation

Degree of protection (IP)	IP60
Burning position	any
Mode of operation	CCG, 230V
Range of storage temperature	-20...+80 °C
Ambient temperatures	-20 ... +60°C
With movement sensor	No

Information especially for EPREL

Energylabel notice	old label, no EPREL registration, no EU data sheet
Lighting technology	LED
Mains/Non mains connectable	MLS
Directional or non-directional light	NDLS
Type of color temperature	SINGLE_VALUE

Notes

LED lamp for exchange with mercury lamps (HPM), non-dim, base E27. Operation at 230V (without ballast). LED light does not contain UV or IR radiation.

Please, refer to www.radium.de/recycling for notes on disposal of burned-out lamps as well as lamp breakage.

The "lifespan L70" described for LED lamps indicates the number of hours when the luminous flux has decreased to 70% of its initial value.

The optimal field 'info about service life' contains the frame conditions according to standards based on which the specific service life has been determined. So, for example, "12B50, 50Hz" means that the mean service life (B50) has been determined with a 12h switching cycle at mains (frequency 50Hz), "3B50, HF" is based on a 3h switching cycle at electronic control gear (high frequency).

Base



E27
IEC/EN 60061-1
sheet 7004-21-9

Spectrum

As daylight is a mixture of direct sunlight and light from the sky, the spectral distribution changes all the time due to the time of the day and the weather. The standard illuminant D65 corresponds to daylight with colour temperature of about 6500K.

The colour of coloured LEDs depends on the chemical elements within the light generating chip. The coloured light is generated directly and does not need filtering.

White LEDs are either RGB (red + green + blue chip in one LED = light colour white) or blue LED-chips with yellow/orange phosphor in the resin. Visible region from 380 to 780 nm; height of graph corresponding with relative spectral emission (400mW/klm)per 10nm.

LED HPM-Retrofit

RL-HRL50 18W/840/230/E27

Radium



LED retrofit lamps 4000K



daylight(D 65)

Special features



General notes

When replacing mercury vapor lamps HRL with LED lamps, we recommend replacement at the respective light point with operation at mains voltage directly (disconnect ballast, for lamps with article no. 426...), newer generations may also be replaced 1:1 (ballast remains in luminaire, lamps with article no. 43...) An ambient temperature of the lamp of 60 ° C inside the luminaire must not be exceeded. Outdoor use is permitted (IP65).

The technical design data in accordance with DIN and IEC. The producer does not take any responsibility for damage to persons or property in case of unsuitable operation or handling of the product. Operating data and dimensions are valid within the usual tolerances. Related lamp types (different bases, mains voltages) may be available on request. Sale and delivery are effected in accordance with the Radium Terms of Delivery and Payment valid on the day of conclusion of contract. Packing units offer economical advantages to the purchase and logistic department. Please match your quantity volume accordingly. For orders of a minimum quantity (clefs) with a lamp model the amount lower than the volume of each packaging unit, we will invoice 10 % additional charge per lamp type. Technical changes and terms of delivery are reserved. Manipulation of any kind to packaging or product is not permissible as this will violate Radium brand rights. Furthermore, technical properties of the product can change to its disadvantage or even destruction. Therefore, Radium cannot be responsible for consequential damages.

® = Registered trademark

Subject to change without notice. Errors and omissions excepted.

Safety instructions

To ensure full light efficiency and product life, the permissible temperature ranges must be observed and dry environment ensured. When operated with existing control gear, their compatibility with the lamp must be checked.

All technical data without guarantee.