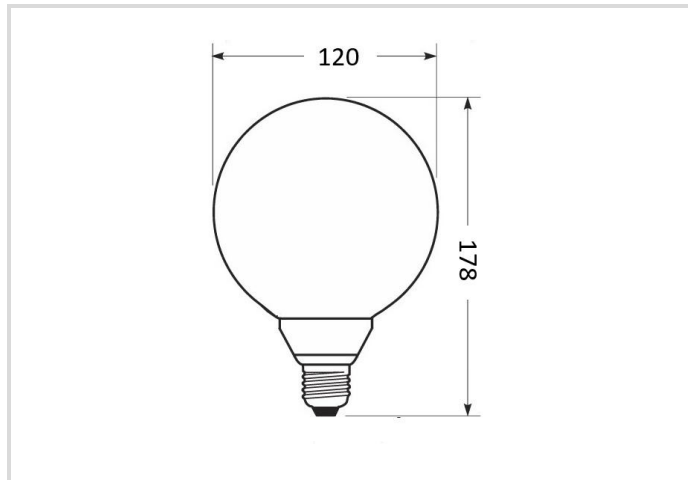


LED Star Globe frosted

RL-G120 100 DIM 927/F/E27

Radium

Product Datasheet Date: 03.05.2026



11

2700K

25 000h

Dimmable



General Data

Article No.	44120868
Code	RL-G120 100 DIM 927/F/E27
Product EAN	4008597208683
Box quantity (pcs.)	10
EAN Box	4008597508684
Gross weight of box in kg	1.7
Length of box in m	0.675
Width of box in m	0.282
Height of box in m	0.215
Product weight	100 g
Product status	● Active

Electric Parameters

Wattage	11.0 W
Nominal power	11.0 W
Weighted energy consumption in 1000 hours	11 kWh
Lamp power	11.0 W
Nominal voltage	220-240 V

Electric Parameters

Voltage type	AC
Nominal current	55 mA
Nominal current (mA)	55 mA
Inrush current	0.3 A
max. no. of lamps at 10A-B10 automatic fuse	80
max. no. of lamps at 16A-B16 automatic fuse	128
dimnable	Yes

Light Application Parameters

Luminous flux	1521 lm
Rated luminous flux according to IEC 62612	1521 lm
Luminous flux	1521 lm
Beam angle	330 °
Efficacy	138 lm/W
Total mains efficacy	138 lm/W
Color temperature	2700 K
Color coordinate X	0.458
Color coordinate Y	0.410
Color rendering index	≥ 90
Color rendering index nominal	90
Color Stability	≤ 6 sdc _m

Service Life

Average life	25000 h
Mean service life	25000
Min. number of switching cycles	20000
Guarantee	5 years

Specification

Diameter	120 mm
Length	178 mm
Length	178 mm
Burning position	any
Photobiological safety according to EN 62471	RG1
Lamp shape	Round/globe
Base	E27

Specification

Colour	White
--------	-------

Notes on Operation

Degree of protection (IP)	IP20
Burning position	any
Mode of operation	230 V
Ambient temperatures	-20 ... +40 °C
With movement sensor	No

Information especially for EPREL

Lighting technology	LED
Mains/Non mains connectable	MLS
Directional or non-directional light	NDLS
Color tunable light source	No
Type of color temperature	SINGLE_VALUE
Color rendering index R9	≤0.4
Color stability MacAdams EPREL	6
Displacement factor EPREL	0,7
Life factor EPREL	0,9
Lumen maintenance EPREL	0,93
Flicker	≤1
Stroboscopic effect	≤0.4
EPREL ID number	2087909

Notes

LED globe lamp for exchange with incandescent lamps, coated, dimmable, base E27. LED light does not contain UV or IR radiation.

Please, refer to www.radium.de/recycling for notes on disposal of burned-out lamps as well as lamp breakage.

The "lifespan L70" described for LED lamps indicates the number of hours when the luminous flux has decreased to 70% of its initial value.

The optimal field 'info about service life' contains the frame conditions according to standards based on which the specific service life has been determined. So, for example, "12B50, 50Hz" means that the mean service life (B50) has been determined with a 12h switching cycle at mains (frequency 50Hz), "3B50, HF" is based on a 3h switching cycle at electronic control gear (high frequency).

Base



E27
IEC/EN 60061-1
sheet 7004-21-9

Spectrum

As daylight is a mixture of direct sunlight and light from the sky, the spectral distribution changes all the time due to the time of the day and the weather. The standard illuminant D65 corresponds to daylight with colour temperature of about 6500K.

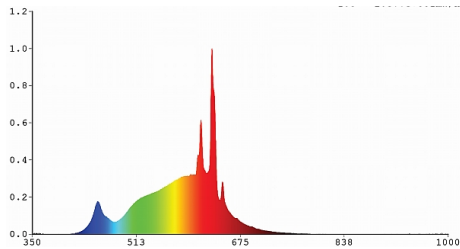
LED Star Globe frosted

RL-G120 100 DIM 927/F/E27

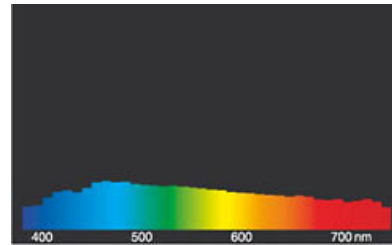
Radium

The colour of coloured LEDs depends on the chemical elements within the light generating chip. The coloured light is generated directly and does not need filtering.

White LEDs are either RGB (red + green + blue chip in one LED = light colour white) or blue LED-chips with yellow/orange phosphor in the resin. Visible region from 380 to 780 nm; height of graph corresponding with relative spectral emission (400mW/klm)per 10nm.



LED-Retrofit-Lamps 2700K



daylight(D 65)

Special features



General notes

For LED replacement of halogen and incandescent lamps, we recommend direct replacement (1: 1) at the respective burning position. For new systems, the number of lamps in the circuit operated at control gear such as transformers or dimmers can be obtained from corresponding compatibility lists (if available). If there is no specification for the type of device or lamp required, for safety reasons, the replacement power shall be assumed as that of the original halogen type (eg "RL-MR16 35" -> 35W, independent of the real power consumption).

The technical design data in accordance with DIN and IEC. The producer does not take any responsibility for damage to persons or property in case of unsuitable operation or handling of the product. Operating data and dimensions are valid within the usual tolerances. Related lamp types (different bases, mains voltages) may be available on request. Sale and delivery are effected in accordance with the Radium Terms of Delivery and Payment valid on the day of conclusion of contract. Packing units offer economical advantages to the purchase and logistic department. Please match your quantity volume accordingly. For orders of a minimum quantity (clefts) with a lamp model the amount lower than the volume of each packaging unit, we will invoice 10 % additional charge per lamp type. Technical changes and terms of delivery are reserved. Manipulation of any kind to packaging or product is not permissible as this will violate Radium brand rights. Furthermore, technical properties of the product can change to its disadvantage or even destruction. Therefore, Radium cannot be responsible for consequential damages.

® = Registered trademark

Subject to change without notice. Errors and omissions excepted.

Safety instructions

To ensure full light efficiency and product life, the permissible temperature ranges must be observed and dry environment ensured. When operated with existing control gear, their compatibility with the lamp must be checked.

All technical data without guarantee.