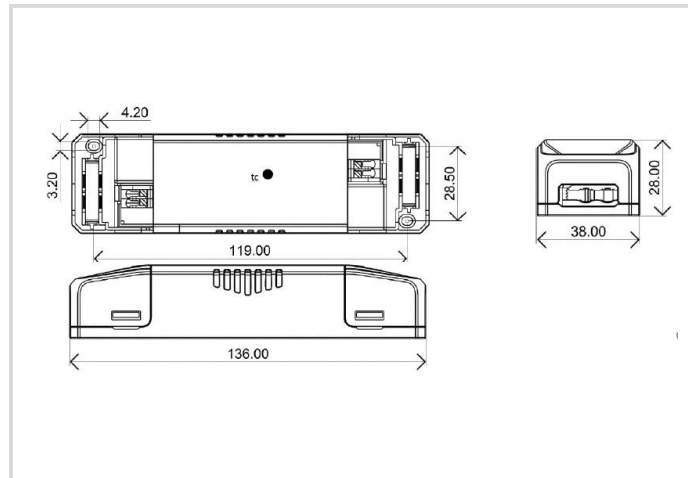


LED Driver non-dim

30W/24V IP20

Radium

Product Datasheet Date: 27.06.2026



General Data

Article No.	OTNA5122
Codice	DRIVER 30W/24V IP20
Product EAN	4003556015494
Box quantity (pcs.)	50
EAN Box	4003556415492
Gross weight of box in kg	6.57
Length of box in m	0.3
Width of box in m	0.245
Height of box in m	0.195
Product weight	101 g
Product status	● Attivo

Electric Parameters

Output power	0-30.0 W
Power factor	0.95
Input voltage AC (range)	198-264 V
Input voltage DC (range)	176-280 V
Output voltage	24 V

Electric Parameters

Surge voltage resistance (L - N)	1 kV
Number of Channels	1
Standby consumption	0.5 W
Inrush current	18.6 A
Period of inrush current	144 µs
Input current max.	0.2 A
Output current	1250 mA
Mains frequency	0 / 50 / 60 Hz
Suitable for DC-voltage (primary side)	Si
Content of harmonics (THD)	10 %
max. no. of lamps at 10A-B10 automatic fuse	31
max. no. of lamps at 16A-B16 automatic fuse	49
dimnable	No
Dimming with push-button	No

Service Life

Service life	50000 h
Tc Temperature max.	75 °C
Lifetime @Tc low	90000 h
Guarantee	5 years

Specification

Mean efficiency	85 %
Length	136 mm
Height max.	28 mm
Width	38 mm
Model	Static
Material	PC

Notes on Operation

Degree of protection (IP)	IP20
Protection class	II
Type of connection	spring clamp
Range of storage temperature	-20 ... +60 °C
Ambient temperatures	-20....+45 °C
Tc Temperature max.	75 °C

Notes on Operation

max. relative air humidity	90 %
----------------------------	------

Information especially for EPREL

Standby consumption	0.5 W
---------------------	-------

Miscellaneous

Similar products	OTNA3101, OTNA3102, OTNA5123
------------------	------------------------------

Notes

Compact constant voltage LED driver for modules up to 30W, IP20, protection class II, easy to install, DC-compatible.

Please, refer to www.radium.de/recycling for notes on disposal of burned-out lamps as well as lamp breakage.

The "lifespan L70" described for LED lamps indicates the number of hours when the luminous flux has decreased to 70% of its initial value.

The optimal field 'info about service life' contains the frame conditions according to standards based on which the specific service life has been determined. So, for example, "12B50, 50Hz" means that the mean service life (B50) has been determined with a 12h switching cycle at mains (frequency 50Hz), "3B50, HF" is based on a 3h switching cycle at electronic control gear (high frequency).

Special features



General notes

The technical design data in accordance with DIN and IEC. The producer does not take any responsibility for damage to persons or property in case of unsuitable operation or handling of the product. Operating data and dimensions are valid within the usual tolerances. Related lamp types (different bases, mains voltages) may be available on request. Sale and delivery are effected in accordance with the Radium Terms of Delivery and Payment valid on the day of conclusion of contract. Packing units offer economical advantages to the purchase and logistic department. Please match your quantity volume accordingly. For orders of a minimum quantity (clefts) with a lamp model the amount lower than the volume of each packaging unit, we will invoice 10 % additional charge per lamp type. Technical changes and terms of delivery are reserved. Manipulation of any kind to packaging or product is not permissible as this will violate Radium brand rights. Furthermore, technical properties of the product can change to its disadvantage or even destruction. Therefore, Radium cannot be responsible for consequential damages.

® = Registered trademark

Subject to change without notice. Errors and omissions excepted.

All technical data without guarantee.