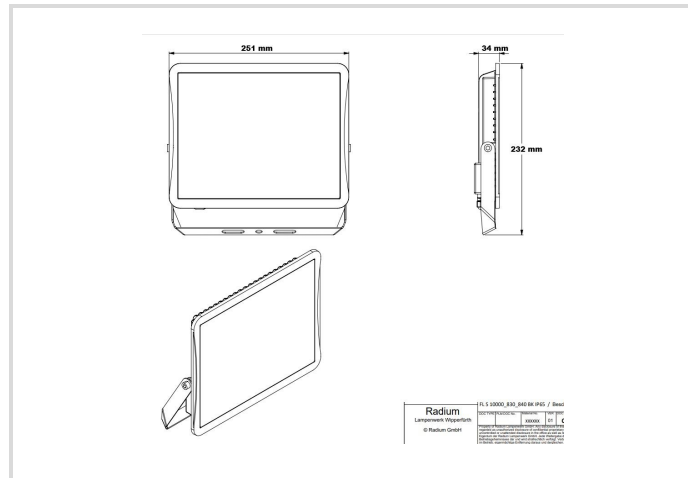


LED Floodlight Star IP65

10.000/840 black

Radium

Product Datasheet Date: 15.05.2026



4000K

General Data

Article No.	FLLA5090
Kod	FL S 10000/840 BK IP65
Product EAN	4003556015241
Box quantity (pcs.)	6
EAN Box	4003556415249
Gross weight of box in kg	8.306
Length of box in m	0.535
Width of box in m	0.17
Height of box in m	0.245
Product weight	1250 g
Product status	● Aktywne

Electric Parameters

Max. system power	74.1 W
Nominal voltage	220-240 V
Voltage type	AC
Nominal current	374 mA
Nominal current (mA)	374 mA

LED Floodlight Star IP65

10.000/840 black

Radium

Electric Parameters

Inrush current	22 A
Mains frequency	50/60 Hz Hz
Dimming with push-button	Nie

Light Application Parameters

Luminous flux adjustable	Nie
Luminous flux	10000 lm
Luminous flux	10000 lm
Beam angle adjustable	Nie
Beam angle	100 °
Unified Glare Ratio (UGR)	31
Efficacy	135 lm/W
Total mains efficacy	135 lm/W
Colour of light adjustable	Nie
CCT Switch	Nie
Colour of light	White
Color temperature	4000 K
Color coordinate X	0.382
Color coordinate Y	0.398
Color rendering index	≥ 80
Color Stability	≤ 6 sdcn
Light sharing	Symmetric
With light sensor	Nie

Service Life

Lifetime L70B50	50000 h
Life L80B10	50000 h
No. switching cycles	≥ 100000
Guarantee	5

Specification

Length	251 mm
Height/depth	232 mm
Width	34 mm
Material	Aluminium/ Glass
Impact strength	IK06

LED Floodlight Star IP65

10.000/840 black

Radium

Specification

Photobiological safety according to EN 62471	RG0
With light source	Tak
Exchangeable control gear	Nie

Notes on Operation

Degree of protection (IP)	IP65
Connection type	Other
Type of connection	Cable
Type of wiring	Ending
Max. number of luminaires per B10 circuit breaker	6
Max. number of luminaires per B16 circuit breaker	9
Luminaire with limited surface temperature, sign "D" according to EN 60598-2-24	Nie
Filament test according to IEC 60695-2-11	650 °C - 30 s
Mounting type	Surface mounted
Type of control gear	LED operating device voltage-controlled
With light sensor	Nie
With movement sensor	Nie
Emergency power supply integrated	Nie

Information especially for EPREL

Contains a lightsource of energy efficiency class	C
Lighting technology	LED
Mains/Non mains connectable	MLS
Color tunable light source	Nie
Flicker	1.0
Stroboscopic effect	0.4
EPREL ID number	2655277

Notes

Neutral white floodlight for indoor and outdoor use, robust aluminum housing in a small-sized design, integrated LED driver, slightly frosted lens.

Please, refer to www.radium.de/recycling for notes on disposal of burned-out lamps as well as lamp breakage.

The "lifespan L70" described for LED lamps indicates the number of hours when the luminous flux has decreased to 70% of its initial value.

The optimal field 'info about service life' contains the frame conditions according to standards based on which the specific service life has been determined. So, for example, "12B50, 50Hz" means that the mean service life (B50) has been determined with a 12h switching cycle at mains (frequency 50Hz), "3B50, HF" is based on a 3h switching cycle at electronic control gear (high frequency).

Spectrum

As daylight is a mixture of direct sunlight and light from the sky, the spectral distribution changes all the time due to the time of the day and the weather. The standard illuminant D65 corresponds to daylight with colour temperature of about 6500K.

The colour of coloured LEDs depends on the chemical elements within the light generating chip. The coloured light is generated directly and does not need filtering.

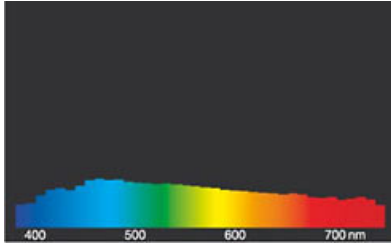
White LEDs are either RGB (red + green + blue chip in one LED = light colour white) or blue LED-chips with yellow/orange phosphor in the resin.

LED Floodlight Star IP65

10.000/840 black

Radium

Visible region from 380 to 780 nm; height of graph corresponding with relative spectral emission (400mW/klm)per 10nm.



daylight(D 65)

Special features



General notes

The technical design data in accordance with DIN and IEC. The producer does not take any responsibility for damage to persons or property in case of unsuitable operation or handling of the product. Operating data and dimensions are valid within the usual tolerances. Related lamp types (different bases, mains voltages) may be available on request. Sale and delivery are effected in accordance with the Radium Terms of Delivery and Payment valid on the day of conclusion of contract. Packing units offer economical advantages to the purchase and logistic department. Please match your quantity volume accordingly. For orders of a minimum quantity (clefts) with a lamp model the amount lower than the volume of each packaging unit, we will invoice 10 % additional charge per lamp type. Technical changes and terms of delivery are reserved. Manipulation of any kind to packaging or product is not permissible as this will violate Radium brand rights. Furthermore, technical properties of the product can change to its disadvantage or even destruction. Therefore, Radium cannot be responsible for consequential damages.

® = Registered trademark

Subject to change without notice. Errors and omissions excepted.

All technical data without guarantee.