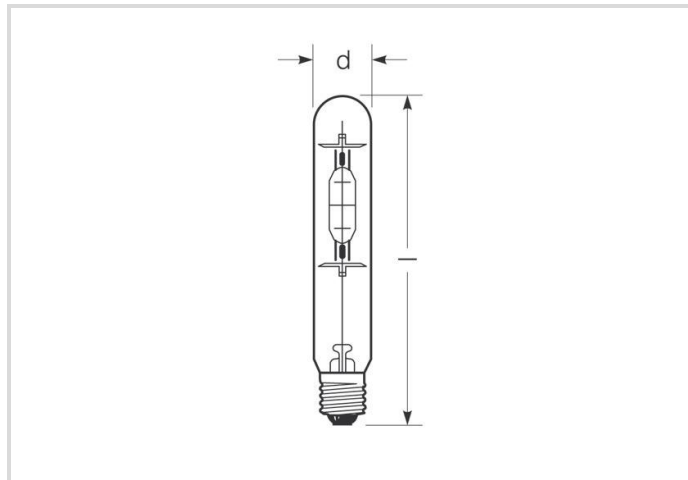


# Metal halide lamp with quartz burner

HRI-T 250W/D/PRO/230/E40

# Radium

Product Datasheet Date: 17.03.2026



G



19000



12 000h

## General Data

Article No.	32416803
Kod	HRI-T 250W/D/PRO/230/E40
Product EAN	4008597168031
Box quantity (pcs.)	12
EAN Box	4008597468032
Gross weight of box in kg	0.166
Length of box in m	0.049
Width of box in m	0.049
Height of box in m	0.26
Product status	<span style="color: green;">●</span> Aktywne

## Electric Parameters

Wattage	260.0 W
Weighted energy consumption in 1000 hours	260 kWh
Lamp voltage	100-110 V
Lamp voltage	108 V
Ignition voltage	4.0 up to 5.0
Lamp's nominal current	2.8 A

# Metal halide lamp with quartz burner

HRI-T 250W/D/PRO/230/E40

**Radium**

## Light Application Parameters

Luminous flux	19000 lm
Rated lamp luminous flux	19000 lm
Efficacy	73 lm/W
Total mains efficacy	73 lm/W
Colour temperature	6350 K
Color coordinate X	0.332
Color coordinate Y	0.353
Colour rendering index CRI	90-100

## Service Life

Average life	12000 h
--------------	---------

## Specification

Energylabel (G -> A)	G
Diameter	46 mm
Length	226 mm
Total length max.	226 mm
Burning position	p60
Mercury content	20.0 mg
Lamp shape	Tube, single-ended
Base	E40
Colour	White

## Notes on Operation

Burning position	p60
------------------	-----

## Information especially for EPREL

Lighting technology	MH
EPREL ID number	2431124

## Notes

Metal halide lamp with quartz burner, tubular bulb clear, daylight, base E40. Operation in enclosed luminaire, with ballast and ignitor.

Please, refer to [www.radium.de/recycling](http://www.radium.de/recycling) for notes on disposal of burned-out lamps as well as lamp breakage.

The "lifespan L70" described for LED lamps indicates the number of hours when the luminous flux has decreased to 70% of its initial value.

The optimal field 'info about service life' contains the frame conditions according to standards based on which the specific service life has been determined. So, for example, "12B50, 50Hz" means that the mean service life (B50) has been determined with a 12h switching cycle at mains (frequency 50Hz), "3B50, HF" is based on a 3h switching cycle at electronic control gear (high frequency).

# Metal halide lamp with quartz burner

HRI-T 250W/D/PRO/230/E40

Radium

## Base



E40  
IEC/EN 60061-1  
sheet 7004-24-6

## Spectrum

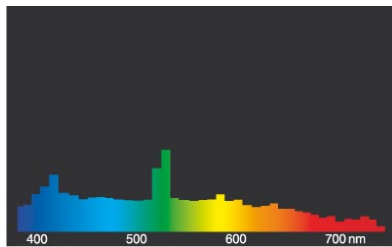
Natural daylight is a mixture of direct sunlight and the light of the sky. Therefore, its spectral composition changes permanently due to the changing time of day. The standardised light classification D65 corresponds to a daylight with a colour temperature of approximately 6500 K. Every discharge lamp type has got an individual spectral power distribution according to its chemical filling. From this result important properties light colour or colour rendering.

Should the spectral lines be very close together the lamp presumably has got a very good colour rendering index, so, Ra might be near 100. Does the spectrum rather look like single lines or frayed out the colour rendering of the lamp will probably be not as good.

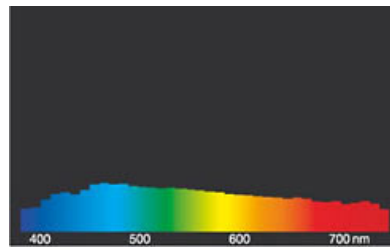
If number and height of the spectral lines within the blue range (around 400 nm) prevails it might be a lamp with a rather cold light colour like for example daylight. On the other hand, should the red (around 700 nm) or the red and yellow (around 600 nm) range be dominant one can assume that the lamp will be a rather warm light colour like WDL.

After the lamp start a metal halide lamp needs about 2-4 minutes time to reach its full luminous flux, all colours in the spectrum are within the discharge arc then.

Visible region from 380 to 780 nm; height of graph corresponding with relative spectral emission (400mW/klm) per 10nm.



HRI.../D



daylight(D 65)

## Special features



## General notes

The technical design data in accordance with DIN and IEC. The producer does not take any responsibility for damage to persons or property in case of unsuitable operation or handling of the product. Operating data and dimensions are valid within the usual tolerances. Related lamp types (different bases, mains voltages) may be available on request. Sale and delivery are effected in accordance with the Radium Terms of Delivery and Payment valid on the day of conclusion of contract. Packing units offer economical advantages to the purchase and logistic department. Please match your quantity volume accordingly. For orders of a minimum quantity (clefts) with a lamp model the amount lower than the volume of each packaging unit, we will invoice 10 % additional charge per lamp type. Technical changes and terms of delivery are reserved. Manipulation of any kind to packaging or product is not permissible as this will violate Radium brand rights. Furthermore, technical properties of the product can change to its disadvantage or even destruction. Therefore, Radium cannot be responsible for consequential damages.

® = Registered trademark

Subject to change without notice. Errors and omissions excepted.

All technical data without guarantee.