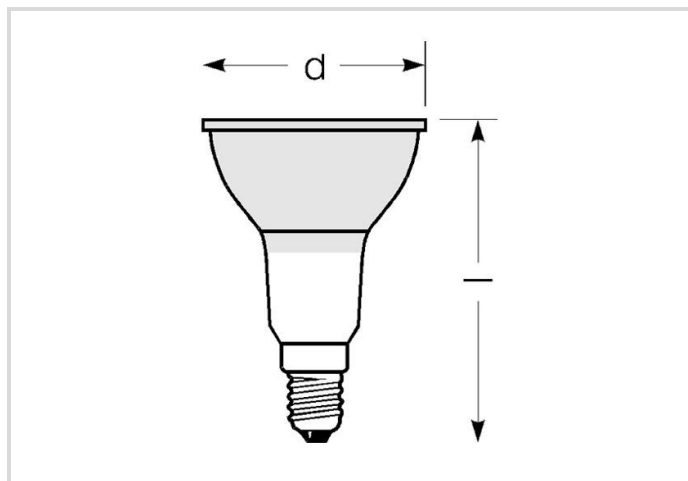


# LED Star PAR16 E14

RL-PAR16 50 DIM 927/36°/E14

# Radium

Product Datasheet Date: 05.06.2026



F



4,8



2700K



25 000h



Dimmable



5 YEARS GUARANTEE

## General Data

Article No.	44122596
Kod	RL-PAR16 50 DIM 927/36°/E14
Product EAN	4008597225963
Box quantity (pcs.)	10
EAN Box	4008597425967
Gross weight of box in kg	0.58
Length of box in m	0.27
Width of box in m	0.111
Height of box in m	0.084
Product weight	42 g
Product status	<span style="color: green;">●</span> Aktywne

## Electric Parameters

Wattage	4.8 W
Nominal power	4.8 W
Weighted energy consumption in 1000 hours	5 kWh
Lamp power	4.8 W
Nominal voltage	220-240 V

## Electric Parameters

Voltage type	AC
Nominal current	44 mA
Nominal current (mA)	44 mA
Inrush current	2.8 A
max. no. of lamps at 10A-B10 automatic fuse	74
max. no. of lamps at 16A-B16 automatic fuse	118
dimnable	Tak

## Light Application Parameters

Luminous flux	350 lm
Rated luminous flux according to IEC 62612	350 lm
Luminous flux	350 lm
Beam angle	36 °
Luminous intensity	700 cd
Efficacy / Luminous efficiency	73 lm/W
Total mains efficacy	86 lm/W
Color temperature	2700 K
Color coordinate X	0,458
Color coordinate Y	0.410
Color rendering index	≥ 90
Color Stability	≤ 6 sdc <sub>m</sub>

## Service Life

Average life	25000 h
Mean service life	25000
No. switching cycles	100000
Guarantee	5 years

## Specification

Energylabel (G -> A)	F
Diameter	50 mm
Length max.	73 mm
Length	73 mm
Burning position	any
Material	Glass
Photobiological safety according to EN 62471	RG0

## Specification

Lamp shape	Reflector
Base	E14
Colour	White
Housing colour	Other

## Notes on Operation

protection class (IP)	IP20
Burning position	any
Mode of operation	230 V
Ambient temperatures	-20 ... +40 °C
With movement sensor	Nie

## Information especially for EPREL

Lighting technology	LED
Mains/Non mains connectable	MLS
Directional or non-directional light	DLS
Color tunable light source	Nie
Type of color temperature	SINGLE_VALUE
Color stability MacAdams EPREL	6
Displacement factor EPREL	0.50
Life factor EPREL	0.9
Lumen maintenance EPREL	0.96
Flicker	1.0
Stroboscopic effect	0.4
EPREL ID number	2206513

## Miscellaneous

Similar products	44120779
------------------	----------

## Notes

PAR16 LED for replacing halogen lamps, warm white light, glass body, dimmable, base E14. LED light does not contain any UV or IR radiation.

Please, refer to [www.radium.de/recycling](http://www.radium.de/recycling) for notes on disposal of burned-out lamps as well as lamp breakage.

The "lifespan L70" described for LED lamps indicates the number of hours when the luminous flux has decreased to 70% of its initial value.

The optimal field 'info about service life' contains the frame conditions according to standards based on which the specific service life has been determined. So, for example, "12B50, 50Hz" means that the mean service life (B50) has been determined with a 12h switching cycle at mains (frequency 50Hz), "3B50, HF" is based on a 3h switching cycle at electronic control gear (high frequency).

## Spectrum

As daylight is a mixture of direct sunlight and light from the sky, the spectral distribution changes all the time due to the time of the day and the weather. The standard illuminant D65 corresponds to daylight with colour temperature of about 6500K.

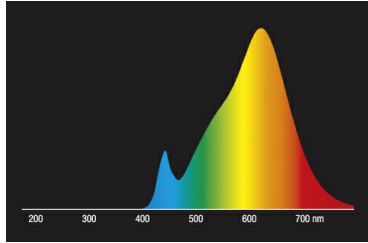
# LED Star PAR16 E14

RL-PAR16 50 DIM 927/36°/E14

# Radium

The colour of coloured LEDs depends on the chemical elements within the light generating chip. The coloured light is generated directly and does not need filtering.

White LEDs are either RGB (red + green + blue chip in one LED = light colour white) or blue LED-chips with yellow/orange phosphor in the resin. Visible region from 380 to 780 nm; height of graph corresponding with relative spectral emission (400mW/klm)per 10nm.



LED Retrofit reflector lamps MR16 / PAR 16 2700K



daylight(D 65)

## Special features



## General notes

For LED replacement of halogen and incandescent lamps, we recommend direct replacement (1: 1) at the respective burning position. For new systems, the number of lamps in the circuit operated at control gear such as transformers or dimmers can be obtained from corresponding compatibility lists (if available). If there is no specification for the type of device or lamp required, for safety reasons, the replacement power shall be assumed as that of the original halogen type (eg "RL-MR16 35" -> 35W, independent of the real power consumption).

The technical design data in accordance with DIN and IEC. The producer does not take any responsibility for damage to persons or property in case of unsuitable operation or handling of the product. Operating data and dimensions are valid within the usual tolerances. Related lamp types (different bases, mains voltages) may be available on request. Sale and delivery are effected in accordance with the Radium Terms of Delivery and Payment valid on the day of conclusion of contract. Packing units offer economical advantages to the purchase and logistic department. Please match your quantity volume accordingly. For orders of a minimum quantity (clefs) with a lamp model the amount lower than the volume of each packaging unit, we will invoice 10 % additional charge per lamp type. Technical changes and terms of delivery are reserved. Manipulation of any kind to packaging or product is not permissible as this will violate Radium brand rights. Furthermore, technical properties of the product can change to its disadvantage or even destruction. Therefore, Radium cannot be responsible for consequential damages.

® = Registered trademark

Subject to change without notice. Errors and omissions excepted.

## Safety instructions

To ensure full light efficiency and product life, the permissible temperature ranges must be observed and dry environment ensured. When operated with existing control gear, their compatibility with the lamp must be checked.

All technical data without guarantee.