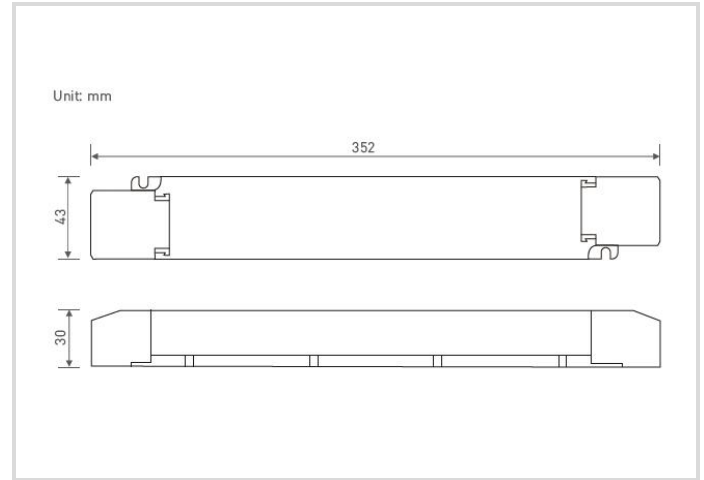
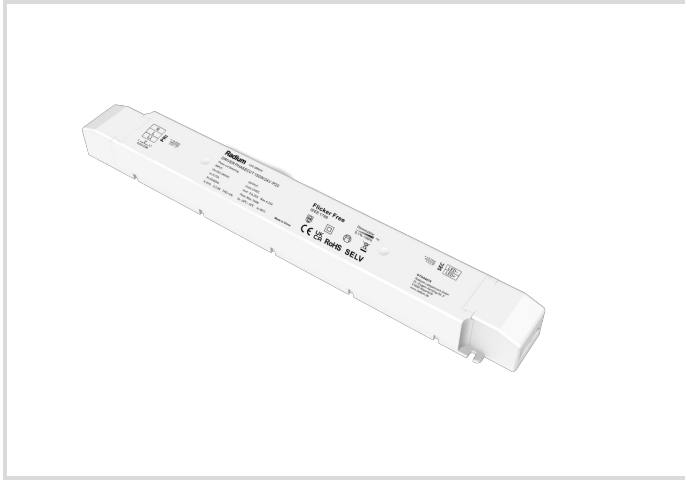


LED Driver with Phasecut dimmer

Driver Phasecut 150W/24V IP20 Radium

Radium

Product Datasheet Date: 18.04.2026



General Data

Article No.	OTDA4078
Kod	DRIVER PHASECUT 150W/24V IP20 RADIUM
Product EAN	4003556011052
Box quantity (pcs.)	20
EAN Box	4003556411050
Gross weight of box in kg	9.6
Length of box in m	0.362
Width of box in m	0.34
Height of box in m	0.093
Product weight	400 g
Product status	● Aktywne

Electric Parameters

Rated value output power max.	150.0 W
Output power	0-150.0 W
Power factor	≥0,98
Input voltage AC (range)	200-240 V
Output Voltage	24 V
Output voltage	23.5-24.5 V
Surge voltage resistance (L - N)	2 kV
Number of Channels	1
Inrush current	45 A
Input current max.	0.75 A

Electric Parameters

Output current	0-6250 mA
Mains frequency	50 / 60 Hz
Suitable for DC-voltage (primary side)	Nie
dimnable	Tak
Dimming with push-button	Tak
Dimming interface	Phase-Cut, for Push-DIM* operation, please note*

Light Application Parameters

Dimming range	0 - 100 %
---------------	-----------

Service Life

Service life	50000 h
Tc Temperature max.	85 °C

Specification

Mean efficiency	0,9 %
Length	352 mm
Height max.	30 mm
Width	43 mm
Material	Plastic
Model	Dynamic

Notes on Operation

Degree of protection (IP)	IP20
Type of connection	screw clamp
Range of storage temperature	-40...+80 °C
Ambient temperatures	-20...+50 °C
Tc Temperature max.	85 °C
max. relative air humidity	95 %

Information especially for EPREL

Flicker	flicker-free IEEE 1789
---------	------------------------

Miscellaneous

Similar products	OTDA3026, OTDA4077
------------------	--------------------

Notes

1 channel constant voltage supply 24V

Please, refer to www.radium.de/recycling for notes on disposal of burned-out lamps as well as lamp breakage.

The "lifespan L70" described for LED lamps indicates the number of hours when the luminous flux has decreased to 70% of its initial value.

The optimal field 'info about service life' contains the frame conditions according to standards based on which the specific service life has been determined. So, for example, "12B50, 50Hz" means that the mean service life (B50) has been determined with a 12h switching cycle at mains (frequency 50Hz), "3B50, HF" is based on a 3h switching cycle at electronic control gear (high frequency).

Special features



General notes

* If the light sources in Push-Dim operation can no longer be switched at the same time or dimmed evenly when operating the lighting system with SEVERAL drivers on ONE switch button, the system works asynchronously and can be synchronized again using a RESET routine:

1. Step: LONG press (> 0.5 s) => all lights switch ON
2. Step: SHORT press (< 0.5 s) => all lights switch OFF
3. Step: LONG press (> 0.5 s) => all lights switch ON and dim
- [4. Step: Double click => save dimming setting (optional)]

The drivers then behave synchronously again.

The technical design data in accordance with DIN and IEC. The producer does not take any responsibility for damage to persons or property in case of unsuitable operation or handling of the product. Operating data and dimensions are valid within the usual tolerances. Related lamp types (different bases, mains voltages) may be available on request. Sale and delivery are effected in accordance with the Radium Terms of Delivery and Payment valid on the day of conclusion of contract. Packing units offer economical advantages to the purchase and logistic department. Please match your quantity volume accordingly. For orders of a minimum quantity (clefts) with a lamp model the amount lower than the volume of each packaging unit, we will invoice 10 % additional charge per lamp type. Technical changes and terms of delivery are reserved. Manipulation of any kind to packaging or product is not permissible as this will violate Radium brand rights. Furthermore, technical properties of the product can change to its disadvantage or even destruction. Therefore, Radium cannot be responsible for consequential damages.

® = Registered trademark

Subject to change without notice. Errors and omissions excepted.

All technical data without guarantee.