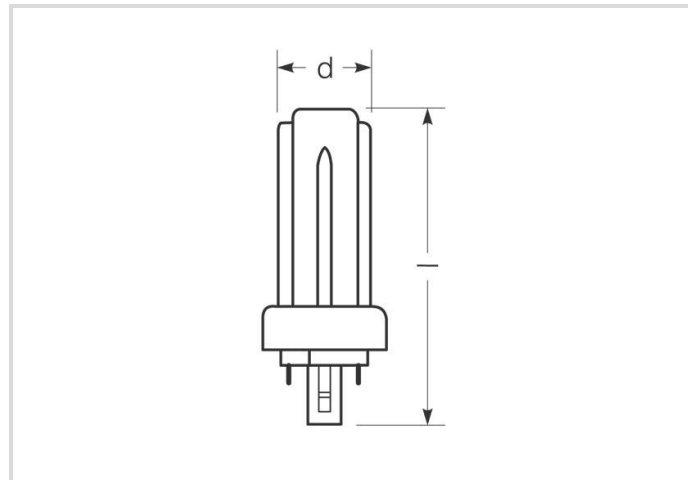


# Compact fluorescent lamp Ralux® Trio

RX-T 26W/840/GX24D

# Radium

Product Datasheet Date: 30.04.2026



G



1800



4000K



8 000h

## General Data

Article No.	31313064
Kod	RX-T 26W/840/GX24D
Product EAN	4008597130649
Box quantity (pcs.)	10
EAN Box	4008597430640
Gross weight of box in kg	0.882
Length of box in m	0.24
Width of box in m	0.102
Height of box in m	0.161
Product weight	64 g
Product status	<span style="color: red;">●</span> Nieaktywne

## Electric Parameters

Wattage	27.9 W
Lamp nominal wattage	26 W
Weighted energy consumption in 1000 hours	28 kWh
Lamp voltage	105 V
Mains voltage	230 V

## Electric Parameters

Compensation capacitor for 50Hz operation	3.3 µF
---	--------

## Light Application Parameters

Luminous flux	1800 lm
Rated lamp luminous flux	1800 lm
max. luminous flux at	25 °C
Efficacy	65 lm/W
Light colour	white
Code of light color	840
Colour temperature	4000 K
Color coordinate X	0.380
Color coordinate Y	0.380
Color rendering index	? 80
Mean luminance	6
Lumen maintenance at 2000h	0.85
Lumen maintenance at 4000h	0.80
Lumen maintenance at 6000h	0.77
Lumen maintenance at 8000h	0.75

## Service Life

Average life	8000 h
Lamp survival factor at 2000h	0.99
Lamp survival factor at 4000h	0.99
Lamp survival factor at 6000h	0.95
Lamp survival factor at 8000h	0.81

## Specification

Energylabel notice	current label, with EPREL registration
Energylabel (G -> A)	G
Diameter	49 mm
Length	139 mm
Total length max.	139 mm
Length	139 mm
Mercury content	1.9 mg
Base	GX24d-3
Colour	White

## Notes on Operation

Ambient temperatures	-5 ... +40 °C
----------------------	---------------

## Information especially for EPREL

Energylabel notice	current label, with EPREL registration
EPREL ID number	541240

## Miscellaneous

EU-date of phase-out	25.02.2023
EU Directive	RoHS

## Notes

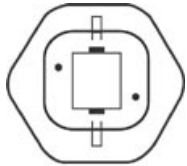
Compact fluorescent lamp, light colour 840, high luminous efficiency, good colour rendering, long life, base GX24d. Non-dim, with integral starter.

Please, refer to [www.radium.de/recycling](http://www.radium.de/recycling) for notes on disposal of burned-out lamps as well as lamp breakage.

The "lifespan L70" described for LED lamps indicates the number of hours when the luminous flux has decreased to 70% of its initial value.

The optimal field 'info about service life' contains the frame conditions according to standards based on which the specific service life has been determined. So, for example, "12B50, 50Hz" means that the mean service life (B50) has been determined with a 12h switching cycle at mains (frequency 50Hz), "3B50, HF" is based on a 3h switching cycle at electronic control gear (high frequency).

### Base



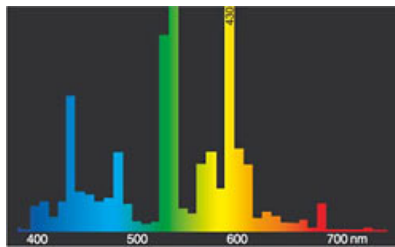
GX24d  
IEC/EN 60061-1  
sheet 7004-78-5

### Spectrum

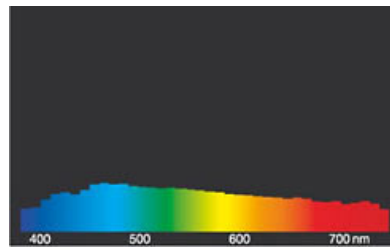
Natural daylight is a mixture of direct sunlight and the light of the sky. Therefore, its spectral composition changes permanently due to the changing time of day. The standardised light classification D65 corresponds to a daylight with a colour temperature of approximately 6500 K.

Every fluorescent lamp type has got an individual spectral power distribution according to its phosphor coating inside the bulb. From this result important properties light colour or colour rendering.

Visible region from 380 to 780 nm; height of graph corresponding with relative spectral emission (400mW/klm) per 10nm.



light colour 840 Spectralux® white (21)



daylight(D 65)

### Special features

# Compact fluorescent lamp Ralux® Trio

RX-T 26W/840/GX24D

# Radium



## General notes

The technical design data in accordance with DIN and IEC. The producer does not take any responsibility for damage to persons or property in case of unsuitable operation or handling of the product. Operating data and dimensions are valid within the usual tolerances. Related lamp types (different bases, mains voltages) may be available on request. Sale and delivery are effected in accordance with the Radium Terms of Delivery and Payment valid on the day of conclusion of contract. Packing units offer economical advantages to the purchase and logistic department. Please match your quantity volume accordingly. For orders of a minimum quantity (clefs) with a lamp model the amount lower than the volume of each packaging unit, we will invoice 10 % additional charge per lamp type. Technical changes and terms of delivery are reserved. Manipulation of any kind to packaging or product is not permissible as this will violate Radium brand rights. Furthermore, technical properties of the product can change to its disadvantage or even destruction. Therefore, Radium cannot be responsible for consequential damages.

® = Registered trademark

Subject to change without notice. Errors and omissions excepted.

All technical data without guarantee.