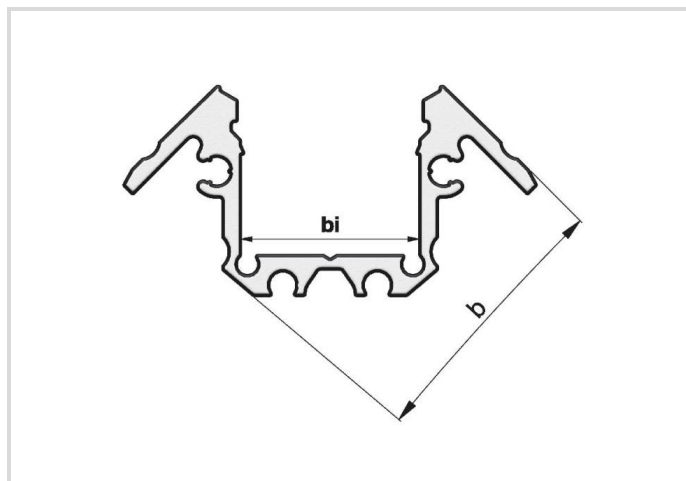


# Surface-mount aluminium profile for 1 LED-strip, Corner profile SMALL

length 2m

# Radium

Product Datasheet Date: 05.06.2026



## General Data

Article No.	TRPA2532
Kod	PROFILE SMALL CORNER 22.8/22.8/B1C1 2M
Product EAN	4003556008076
Box quantity (pcs.)	8
EAN Box	4003556408074
Gross weight of box in kg	4.692
Length of box in m	2.11
Width of box in m	0.07
Height of box in m	0.053
Product weight	549 g
Product status	<span style="color: green;">●</span> Aktywne

## Specification

Type of accessory/spare part	Profile
Length max.	2010 mm
Length	2 m
Height	22,8 mm
Width	22,8 mm
Internal width	13.5 mm
Material	Aluminium
no. of LED stripes in profile	1
Product shape	Corner profile

# Surface-mount aluminium profile for 1 LED-strip, Corner profile SMALL

length 2m

**Radium**

## Notes on Operation

---

Mounting type	Surface mounted
Fitting Endcap	ZTPA2613, ZTPA2720, ZTPA4413
Fitting Cover	ZTPA2572, ZTPA2582
Fitting mounting clips or suspension	ZTPA2620, ZTPA2621, ZTPA4576, ZTPA3021, ZTPA4434, ZTPA4433

## Miscellaneous

---

Similar products	TRPA2512, TRPA2522, TRPA2502
------------------	------------------------------

## Notes

High quality, anodized aluminum wing profile for optimal cooling. It offers versatile mounting options and protects the LED strip.

Please, refer to [www.radium.de/recycling](http://www.radium.de/recycling) for notes on disposal of burned-out lamps as well as lamp breakage.

The "lifespan L70" described for LED lamps indicates the number of hours when the luminous flux has decreased to 70% of its initial value.

The optimal field 'info about service life' contains the frame conditions according to standards based on which the specific service life has been determined. So, for example, "12B50, 50Hz" means that the mean service life (B50) has been determined with a 12h switching cycle at mains (frequency 50Hz), "3B50, HF" is based on a 3h switching cycle at electronic control gear (high frequency).

### General notes

The technical design data in accordance with DIN and IEC. The producer does not take any responsibility for damage to persons or property in case of unsuitable operation or handling of the product. Operating data and dimensions are valid within the usual tolerances. Related lamp types (different bases, mains voltages) may be available on request. Sale and delivery are effected in accordance with the Radium Terms of Delivery and Payment valid on the day of conclusion of contract. Packing units offer economical advantages to the purchase and logistic department. Please match your quantity volume accordingly. For orders of a minimum quantity (clefts) with a lamp model the amount lower than the volume of each packaging unit, we will invoice 10 % additional charge per lamp type. Technical changes and terms of delivery are reserved. Manipulation of any kind to packaging or product is not permissible as this will violate Radium brand rights. Furthermore, technical properties of the product can change to its disadvantage or even destruction. Therefore, Radium cannot be responsible for consequential damages.

® = Registered trademark

Subject to change without notice. Errors and omissions excepted.

All technical data without guarantee.