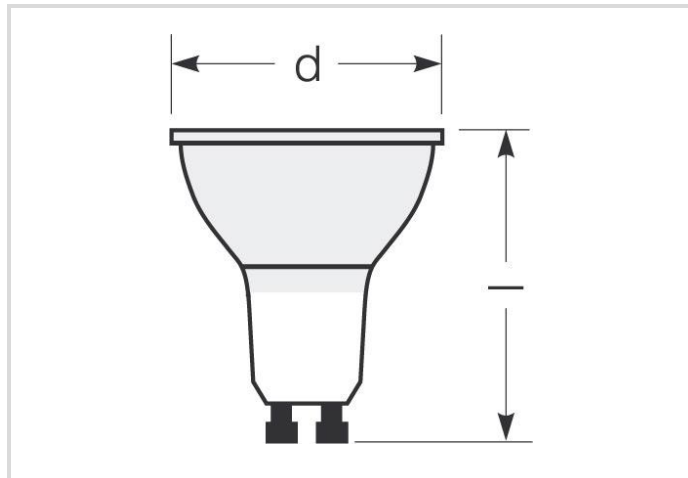


# Halogen reflector lamp

PAR16 50W/230V/FL/GU10

# Radium

Product Datasheet Date: 06.04.2026



D



350



2800K



2 000h



Dimmable

## General Data

Article No.	22312392
Kod	PAR16 50W/GU10
Product EAN	4008597123924
Box quantity (pcs.)	20
EAN Box	4008597523922
Gross weight of box in kg	1.066
Length of box in m	0.26
Width of box in m	0.11
Height of box in m	0.14
Product status	● Nieaktywne

## Electric Parameters

Wattage	50.0 W
Lamp nominal wattage	50 W
Power factor	1.00
Lamp voltage	230-230 V
Mains voltage	230 V
Nominal current (mA)	217 mA

## Electric Parameters

dimmable	Tak
----------	-----

## Light Application Parameters

Luminous flux	350 lm
Rated lamp luminous flux	350 lm
Luminous flux in 90°-sector	350 lm
Luminous intensity	900 cd
Beam angle	35 °
Colour temperature	2900 K
Color rendering index	100

## Service Life

Average life	2000 h
Mean service life	2000 h
No. switching cycles	50000

## Specification

Energylabel (E -> A++)	D
Diameter	51 mm
Length	55 mm
Total length max.	55 mm
Burning position	any
Mercury content	0.0 mg
Lamp shape	PAR reflector
Model	Flood
Base	GU10

## Notes on Operation

Burning position	any
------------------	-----

## Miscellaneous

EU-date of phase-out	01.09.2016
EU Directive	DIM2

## Notes

Please, refer to [www.radium.de/recycling](http://www.radium.de/recycling) for notes on disposal of burned-out lamps as well as lamp breakage.

# Halogen reflector lamp

PAR16 50W/230/FL/GU10

**Radium**

The "lifespan L70" described for LED lamps indicates the number of hours when the luminous flux has decreased to 70% of its initial value. The optimal field 'info about service life' contains the frame conditions according to standards based on which the specific service life has been determined. So, for example, "12B50, 50Hz" means that the mean service life (B50) has been determined with a 12h switching cycle at mains (frequency 50Hz), "3B50, HF" is based on a 3h switching cycle at electronic control gear (high frequency).

# Halogen reflector lamp

## PAR16 50W/230V/FL/GU10

# Radium

### Base



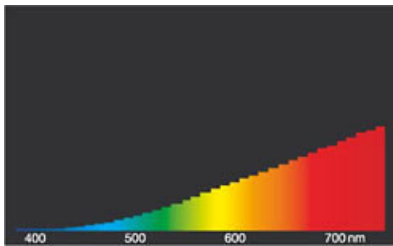
GU10  
IEC/EN 60061-1  
sheet 7004-121-1

### Spectrum

As daylight is a mixture of direct sunlight and light from the sky, the spectral distribution changes all the time due to the time of the day and the weather. The standard illuminant D65 corresponds to daylight with colour temperature of about 6500K.

Incandescent lamps have got a continuous red-dominated spectrum as the light is generated by heating up a tungsten filament. The addition of halogens to the filling gas enhance the efficiency and prevents blackening. Further increase in efficiency can be achieved by adding Xenon and/or IRC-coating.

Visible region from 380 to 780 nm; height of graph corresponding with relative spectral emission (400mW/klm)per 10nm.



light of incandescent lamps



daylight(D 65)

### Special features



### General notes

The technical design data in accordance with DIN and IEC. The producer does not take any responsibility for damage to persons or property in case of unsuitable operation or handling of the product. Operating data and dimensions are valid within the usual tolerances. Related lamp types (different bases, mains voltages) may be available on request. Sale and delivery are effected in accordance with the Radium Terms of Delivery and Payment valid on the day of conclusion of contract. Packing units offer economical advantages to the purchase and logistic department. Please match your quantity volume accordingly. For orders of a minimum quantity (clefts) with a lamp model the amount lower than the volume of each packaging unit, we will invoice 10 % additional charge per lamp type. Technical changes and terms of delivery are reserved. Manipulation of any kind to packaging or product is not permissible as this will violate Radium brand rights. Furthermore, technical properties of the product can change to its disadvantage or even destruction. Therefore, Radium cannot be responsible for consequential damages.

® = Registered trademark

Subject to change without notice. Errors and omissions excepted.

All technical data without guarantee.