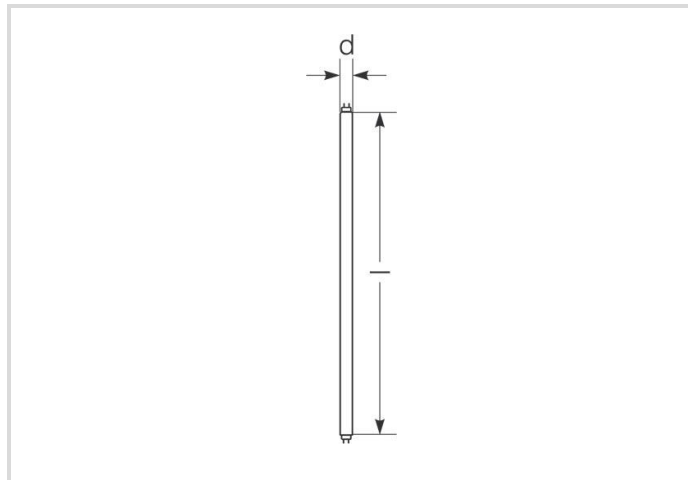


Fluorescent lamp Standard

NL-T5 4W/640/G5

Radium

Product Datasheet Date: 04.04.2026



B



G



140



4000K



10 000h



Dimmable

General Data

Article No.	31513993
Kod	NL-T5 4W/640/G5
Product EAN	4008597139932
Box quantity (pcs.)	25
EAN Box	4008597439933
Gross weight of box in kg	0.539
Length of box in m	0.162
Width of box in m	0.103
Height of box in m	0.115
Product weight	16 g
Product status	● Nieaktywne

Electric Parameters

Wattage	4.0 W
Lamp nominal wattage	4 W
Lamp voltage	29 V
Mains voltage	230 V
Nominal current (mA)	170 mA

Electric Parameters

Compensation capacitor for 50Hz operation	2 μ F
dimnable	Tak

Light Application Parameters

Luminous flux	140 lm
Rated lamp luminous flux	140 lm
max. luminous flux at	25 °C
Efficacy	35 lm/W
Total mains efficacy	35 lm/W
Light colour	Bright white
Code of light color	640
Colour temperature	4000 K
Color rendering index	\geq 60
Mean luminance	0.85

Service Life

Average life	10000 h
--------------	---------

Specification

Energylabel notice	old label, no EPREL registration, no EU data sheet
Energylabel (G -> A)	G
Energylabel (E -> A++)	B
Diameter max.	16 mm
Tube diameter	16 mm
Length	136 mm
Length	136 mm
Mercury content	2.6 mg
Lamp shape	Rod
Base	G5
Colour	Other

Information especially for EPREL

Energylabel notice	old label, no EPREL registration, no EU data sheet
EPREL ID number	907130

Miscellaneous

EU-date of phase-out	25.02.2023
----------------------	------------

Fluorescent lamp Standard

NL-T5 4W/640/G5

Radium

EU Directive

RoHS

Fluorescent lamp Standard

NL-T5 4W/640/G5

Radium

Notes

Mini fluorescent lamp T5 - 16mm diameter, standard light colour 640, base G5. Controllable by Dim-ECG.

Please, refer to www.radium.de/recycling for notes on disposal of burned-out lamps as well as lamp breakage.

The "lifespan L70" described for LED lamps indicates the number of hours when the luminous flux has decreased to 70% of its initial value.

The optimal field 'info about service life' contains the frame conditions according to standards based on which the specific service life has been determined. So, for example, "12B50, 50Hz" means that the mean service life (B50) has been determined with a 12h switching cycle at mains (frequency 50Hz), "3B50, HF" is based on a 3h switching cycle at electronic control gear (high frequency).

Base



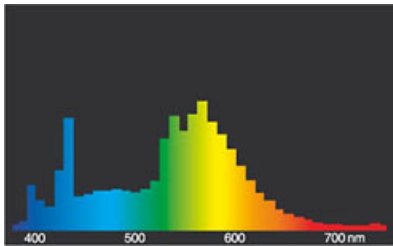
G5
IEC/EN 60061-1
sheet 7004-52-5

Spectrum

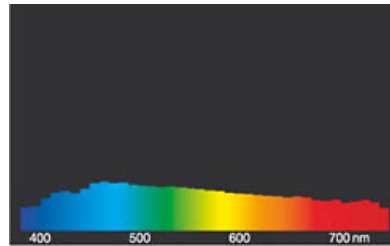
Natural daylight is a mixture of direct sunlight and the light of the sky. Therefore, its spectral composition changes permanently due to the changing time of day. The standardised light classification D65 corresponds to a daylight with a colour temperature of approximately 6500 K.

Every fluorescent lamp type has got an individual spectral power distribution according to its phosphor coating inside the bulb. From this result important properties light colour or colour rendering.

Visible region from 380 to 780 nm; height of graph corresponding with relative spectral emission (400mW/klm) per 10nm.



Lichtfarbe 640 weiss (20)



daylight(D 65)

Special features



General notes

The technical design data in accordance with DIN and IEC. The producer does not take any responsibility for damage to persons or property in case of unsuitable operation or handling of the product. Operating data and dimensions are valid within the usual tolerances. Related lamp types (different bases, mains voltages) may be available on request. Sale and delivery are effected in accordance with the Radium Terms of Delivery and Payment valid on the day of conclusion of contract. Packing units offer economical advantages to the purchase and logistic department. Please match your quantity volume accordingly. For orders of a minimum quantity (clefts) with a lamp model the amount lower than the volume of each packaging unit, we will invoice 10 % additional charge per lamp type. Technical changes and terms of delivery are reserved. Manipulation of any kind to packaging or product is not permissible as this will violate Radium brand rights. Furthermore, technical properties of the product can change to its disadvantage or even destruction. Therefore, Radium cannot be responsible for consequential damages.

® = Registered trademark

Subject to change without notice. Errors and omissions excepted.

All technical data without guarantee.