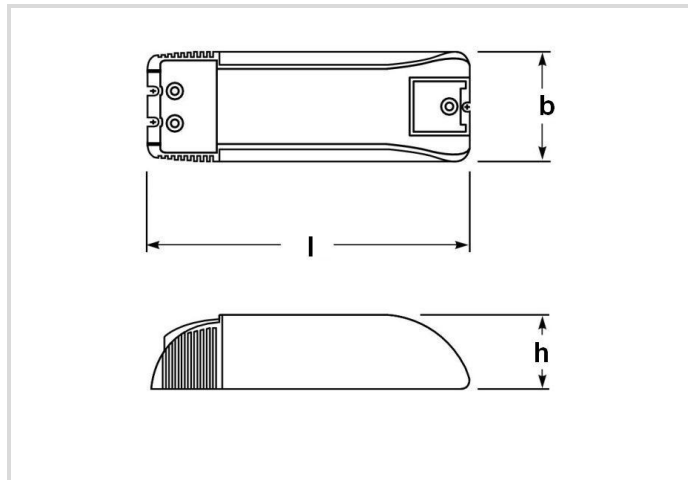


# Electronic transformer

## HTM 150/230-240 RO

# Radium

Product Datasheet Date: 03.04.2026



## General Data

Article No.	HT150421
Kod	HTM 150/230-240 RO
Product EAN	4050300581415
Box quantity (pcs.)	10
EAN Box	4050300581422
Gross weight of box in kg	1.997
Length of box in m	0.28
Width of box in m	0.17
Height of box in m	0.1
Product weight	185 g
Product status	<span style="color: red;">●</span> Nieaktywne

## Electric Parameters

Power min.	50.0-150.0 W
Input voltage	230-240 V
Output voltage	11.4-11,5 V
Nominal current (A)	0.57 A
Operating frequency	40 kHz
Supply frequency	50 Hz
Power loss (max. W)	7.0 W
No load power	0.3 W

## Specification

Length	153 mm
Height max.	36 mm
Width	54 mm
Colour	Multi-coloured

## Notes on Operation

Degree of protection (IP)	IP20
---------------------------	------

## Miscellaneous

Similar products	HT105421, HT070421
------------------	--------------------

## Notes

For operation of 12V lamps, dimmable with trailing and leading edge dimmers.

Please, refer to [www.radium.de/recycling](http://www.radium.de/recycling) for notes on disposal of burned-out lamps as well as lamp breakage.

The "lifespan L70" described for LED lamps indicates the number of hours when the luminous flux has decreased to 70% of its initial value.

The optimal field 'info about service life' contains the frame conditions according to standards based on which the specific service life has been determined. So, for example, "12B50, 50Hz" means that the mean service life (B50) has been determined with a 12h switching cycle at mains (frequency 50Hz), "3B50, HF" is based on a 3h switching cycle at electronic control gear (high frequency).

## Special features



## General notes

The technical design data in accordance with DIN and IEC. The producer does not take any responsibility for damage to persons or property in case of unsuitable operation or handling of the product. Operating data and dimensions are valid within the usual tolerances. Related lamp types (different bases, mains voltages) may be available on request. Sale and delivery are effected in accordance with the Radium Terms of Delivery and Payment valid on the day of conclusion of contract. Packing units offer economical advantages to the purchase and logistic department. Please match your quantity volume accordingly. For orders of a minimum quantity (clefts) with a lamp model the amount lower than the volume of each packaging unit, we will invoice 10 % additional charge per lamp type. Technical changes and terms of delivery are reserved. Manipulation of any kind to packaging or product is not permissible as this will violate Radium brand rights. Furthermore, technical properties of the product can change to its disadvantage or even destruction. Therefore, Radium cannot be responsible for consequential damages.

® = Registered trademark

Subject to change without notice. Errors and omissions excepted.

All technical data without guarantee.