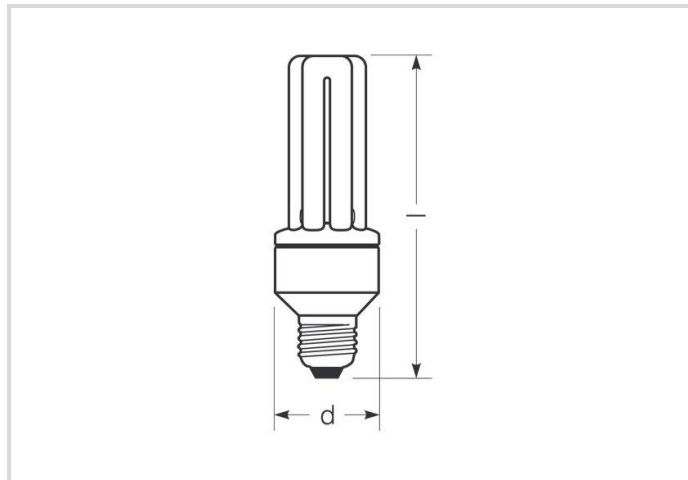


# Compact fluorescent lamp Ralux®Quick

RXP-Q 14W/840/E27

# Radium

Product Datasheet Date: 06.06.2026



A



820



4000K



15 000h

## General Data

Article No.	31918543
Kod	RXP-Q 14W/840/E27
Product EAN	4008597185434
Box quantity (pcs.)	10
EAN Box	4008597485435
Gross weight of box in kg	0.953
Length of box in m	0.24
Width of box in m	0.1
Height of box in m	0.15
Product status	● Nieaktywne

## Electric Parameters

Wattage	14.0 W
Lamp nominal wattage	14 W
Power factor	≥ 0.55
Lamp voltage	220-240 V
Mains voltage	220-240 V
Nominal current (mA)	140 mA

## Electric Parameters

dimnable	Nie
----------	-----

## Light Application Parameters

Luminous flux	820 lm
Rated lamp luminous flux	820 lm
Efficacy / Luminous efficiency	58.57 lm/W
Light colour	white
Code of light color	840
Colour temperature	4000 K
Color rendering index	80-89
Light maintenance at end of life	0.65

## Service Life

Average life	15000 h
No. switching cycles	500000

## Specification

Energylabel (E -> A++)	A
Diameter	45 mm
Length	131 mm
Total length max.	131 mm
Mercury content	1.8 mg
Lamp shape	Straight
Base	E27

## Miscellaneous

EU Directive	DIM1
--------------	------

## Notes

Please, refer to [www.radium.de/recycling](http://www.radium.de/recycling) for notes on disposal of burned-out lamps as well as lamp breakage. The "lifespan L70" described for LED lamps indicates the number of hours when the luminous flux has decreased to 70% of its initial value. The optimal field 'info about service life' contains the frame conditions according to standards based on which the specific service life has been determined. So, for example, "12B50, 50Hz" means that the mean service life (B50) has been determined with a 12h switching cycle at mains (frequency 50Hz), "3B50, HF" is based on a 3h switching cycle at electronic control gear (high frequency).

### Base

E27  
IEC/EN 60061-1  
sheet 7004-21-9

# Compact fluorescent lamp Ralux®Quick

RXP-Q 14W/840/E27

# Radium

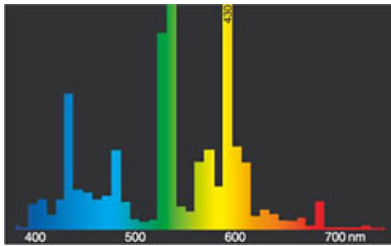


## Spectrum

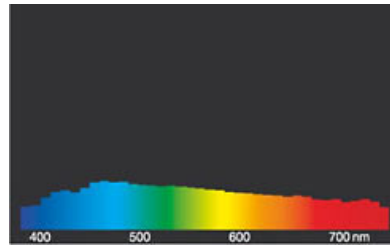
Natural daylight is a mixture of direct sunlight and the light of the sky. Therefore, its spectral composition changes permanently due to the changing time of day. The standardised light classification D65 corresponds to a daylight with a colour temperature of approximately 6500 K.

Every fluorescent lamp type has got an individual spectral power distribution according to its phosphor coating inside the bulb. From this result important properties light colour or colour rendering.

Visible region from 380 to 780 nm; height of graph corresponding with relative spectral emission (400mW/klm) per 10nm.



light colour 840 Spectralux® white (21)



daylight(D 65)

## Special features



## General notes

The technical design data in accordance with DIN and IEC. The producer does not take any responsibility for damage to persons or property in case of unsuitable operation or handling of the product. Operating data and dimensions are valid within the usual tolerances. Related lamp types (different bases, mains voltages) may be available on request. Sale and delivery are effected in accordance with the Radium Terms of Delivery and Payment valid on the day of conclusion of contract. Packing units offer economical advantages to the purchase and logistic department. Please match your quantity volume accordingly. For orders of a minimum quantity (clefts) with a lamp model the amount lower than the volume of each packaging unit, we will invoice 10 % additional charge per lamp type. Technical changes and terms of delivery are reserved. Manipulation of any kind to packaging or product is not permissible as this will violate Radium brand rights. Furthermore, technical properties of the product can change to its disadvantage or even destruction. Therefore, Radium cannot be responsible for consequential damages.

® = Registered trademark

Subject to change without notice. Errors and omissions excepted.

All technical data without guarantee.