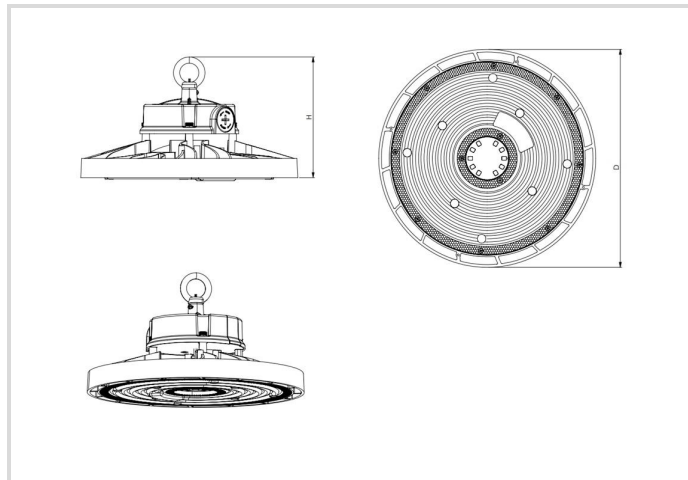


# LED Highbay Luminaire Star IP65

100W PS CCT SR BS

# Radium

Product Datasheet Date: 24.04.2026



40006500K

## General Data

Article No.	HIBA5113
Codice	HB S 100 PS CCT SR BS IP65
Product EAN	4003556015432
Product weight	2100 g
Product status	● Attivo

## Electric Parameters

Max. system power	100.0 W
Power steps	100.0 W
Nominal voltage	220-240 V
Voltage type	AC
Nominal current	530-500 mA
Nominal current (mA)	500 mA
Number of poles	2
Inrush current	90 A
Mains frequency	50/60 Hz Hz
Dimming with push-button	No
Power Select	Si

## Light Application Parameters

Luminous flux adjustable	Positions
Luminous flux	16000 lm
Rated luminous flux according to IEC 62722-2-1	16000 lm
Luminous flux @4000K	9600-16000 lm
Luminous flux Q 6000/6500K	9600-16000 lm
Beam angle adjustable	Positions
Efficacy	160 lm/W
Total mains efficacy	160 lm/W
Colour of light adjustable	Positions
CCT Switch	Si
Colour of light	White
Color temperature	4000 / 5000 / 6500 K
Color coordinate X	0.382
Color coordinate Y	0.398
Color rendering index	≥ 80
Color Stability	≤ 6 sdcn
Light sharing	Symmetric

## Service Life

Lifetime L70B50	80000 h
Life L80B10	80000 h
No. switching cycles	≥100000
Guarantee	5

## Specification

Diameter	282 mm
Length	282 mm
Height/depth	157 mm
Width	282 mm
Installation height max.	max. 15 m
Material	Aluminium / PC
Impact strength	IK08
Photobiological safety according to EN 62471	RG1
With light source	Si
Exchangeable control gear	No

## Notes on Operation

Degree of protection (IP)	IP65
Connection type	Push-in clamp
Type of wiring	Ending
Max. number of luminaires per B10 circuit breaker	10
Max. number of luminaires per B16 circuit breaker	16
Luminaire with limited surface temperature, sign "D" according to EN 60598-2-24	No
Filament test according to IEC 60695-2-11	650 °C - 30 s
Mounting method	Pendant
Type of control gear	LED operating device voltage-controlled
Suitable for emergency lighting	No
Emergency power supply integrated	No

## Information especially for EPREL

Contains a lightsource of energy efficiency class	C
Mains/Non mains connectable	MLS
Directional or non-directional light	NDLS
Color tunable light source	Si
Type of color temperature	STEPS
Flicker	1.0
Stroboscopic effect	0.4
EPREL ID number	2655281

## Notes

Highbay luminaire for halls and large areas, integrated LED driver with power select, low glare, adjustable light color and beam angle (steps)

Please, refer to [www.radium.de/recycling](http://www.radium.de/recycling) for notes on disposal of burned-out lamps as well as lamp breakage.

The "lifespan L70" described for LED lamps indicates the number of hours when the luminous flux has decreased to 70% of its initial value.

The optimal field 'info about service life' contains the frame conditions according to standards based on which the specific service life has been determined. So, for example, "12B50, 50Hz" means that the mean service life (B50) has been determined with a 12h switching cycle at mains (frequency 50Hz), "3B50, HF" is based on a 3h switching cycle at electronic control gear (high frequency).

### Special features



### General notes

The technical design data in accordance with DIN and IEC. The producer does not take any responsibility for damage to persons or property in case of unsuitable operation or handling of the product. Operating data and dimensions are valid within the usual tolerances. Related lamp types (different bases, mains voltages) may be available on request. Sale and delivery are effected in accordance with the Radium Terms of Delivery and Payment valid on the day of conclusion of contract. Packing units offer economical advantages to the purchase and logistic department. Please match your quantity volume accordingly. For orders of a minimum quantity (clefts) with a lamp model the amount lower than the volume of each packaging unit, we will invoice 10 % additional charge per lamp type. Technical changes and terms of delivery are reserved. Manipulation of any kind to packaging or product is not permissible as this will violate Radium brand rights. Furthermore, technical properties of the product can change to its disadvantage or even destruction. Therefore, Radium cannot be responsible for consequential damages.

® = Registered trademark

# LED Highbay Luminaire Star IP65

100W PS CCT SR BS

**Radium**

Subject to change without notice. Errors and omissions excepted.

All technical data without guarantee.