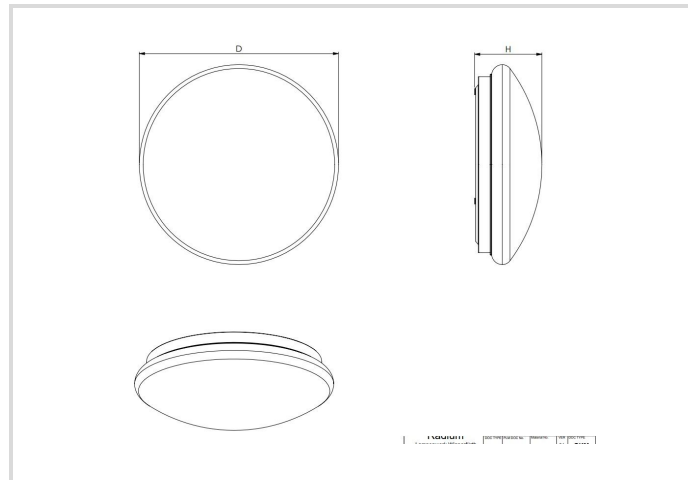


LED Surface Luminaire Essence IP54

Surface E 480 40W CCT

Radium

Product Datasheet Date: 24.04.2026



30004000K

General Data

Article No.	SFEA5100
Codice	SF E 480 40W CCT IP54
Product EAN	4003556015180
Box quantity (pcs.)	4
EAN Box	4003556415188
Gross weight of box in kg	9.04
Length of box in m	0.76
Width of box in m	0.538
Height of box in m	0.563
Product weight	1460 g
Product status	● Attivo

Electric Parameters

Max. system power	40.0 W
Nominal voltage	220-240 V
Voltage type	AC
Nominal current	252 mA
Nominal current (mA)	252 mA

Electric Parameters

Inrush current	11 A
Mains frequency	50/60 Hz Hz
Dimming with push-button	No

Light Application Parameters

Luminous flux adjustable	No
Luminous flux	3800 lm
Rated luminous flux according to IEC 62722-2-1	3800 lm
Luminous flux @3000K	3500 lm
Luminous flux @4000K	3800 lm
Beam angle adjustable	No
Beam angle	120 °
Unified Glare Ratio (UGR)	28
Efficacy	95 lm/W
Total mains efficacy	95 lm/W
Colour of light adjustable	Positions
CCT Switch	No
Colour of light	White
Color temperature	3000 / 4000 K
Color coordinate X	0.434
Color coordinate Y	0.403
Color rendering index	≥ 80
Color Stability	≤ 6 sdcn
With light sensor	No

Service Life

Lifetime L70B50	30000 h
Life L80B10	30000 h
No. switching cycles	≥ 50.000
Guarantee	3

Specification

Diameter	480 mm
Length	480 mm
Height/depth	140 mm
Width	480 mm

LED Surface Luminaire Essence IP54

Surface E 480 40W CCT

Radium

Specification

Material	Steel sheet/ PMMA
Impact strength	IK03
Photobiological safety according to EN 62471	RG0
With light source	Si
Exchangeable control gear	Si

Notes on Operation

Degree of protection (IP)	IP54
Connection type	Push-in clamp
Type of wiring	Ending
Max. number of luminaires per B10 circuit breaker	32
Max. number of luminaires per B16 circuit breaker	50
Filament test according to IEC 60695-2-11	650 °C - 30 s
Type of control gear	LED operating device voltage-controlled
With light sensor	No
With movement sensor	No
Suitable for emergency lighting	No
Emergency power supply integrated	No

Information especially for EPREL

Mains/Non mains connectable	MLS
Directional or non-directional light	NDLS
Color tunable light source	Si
Type of color temperature	STEPS
Flickering value Pst LM	1
Stroboscope effect value SVM	0.4
EPREL ID number	2676447

Notes

Universal LED wall and ceiling luminaire IP54, integrated LED driver with power select, adjustable light color (steps)

Please, refer to www.radium.de/recycling for notes on disposal of burned-out lamps as well as lamp breakage.

The "lifespan L70" described for LED lamps indicates the number of hours when the luminous flux has decreased to 70% of its initial value.

The optimal field 'info about service life' contains the frame conditions according to standards based on which the specific service life has been determined. So, for example, "12B50, 50Hz" means that the mean service life (B50) has been determined with a 12h switching cycle at mains (frequency 50Hz), "3B50, HF" is based on a 3h switching cycle at electronic control gear (high frequency).

Special features



LED Surface Luminaire Essence IP54

Surface E 480 40W CCT

Radium

General notes

The technical design data in accordance with DIN and IEC. The producer does not take any responsibility for damage to persons or property in case of unsuitable operation or handling of the product. Operating data and dimensions are valid within the usual tolerances. Related lamp types (different bases, mains voltages) may be available on request. Sale and delivery are effected in accordance with the Radium Terms of Delivery and Payment valid on the day of conclusion of contract. Packing units offer economical advantages to the purchase and logistic department. Please match your quantity volume accordingly. For orders of a minimum quantity (clefts) with a lamp model the amount lower than the volume of each packaging unit, we will invoice 10 % additional charge per lamp type. Technical changes and terms of delivery are reserved. Manipulation of any kind to packaging or product is not permissible as this will violate Radium brand rights. Furthermore, technical properties of the product can change to its disadvantage or even destruction. Therefore, Radium cannot be responsible for consequential damages.

® = Registered trademark

Subject to change without notice. Errors and omissions excepted.

All technical data without guarantee.