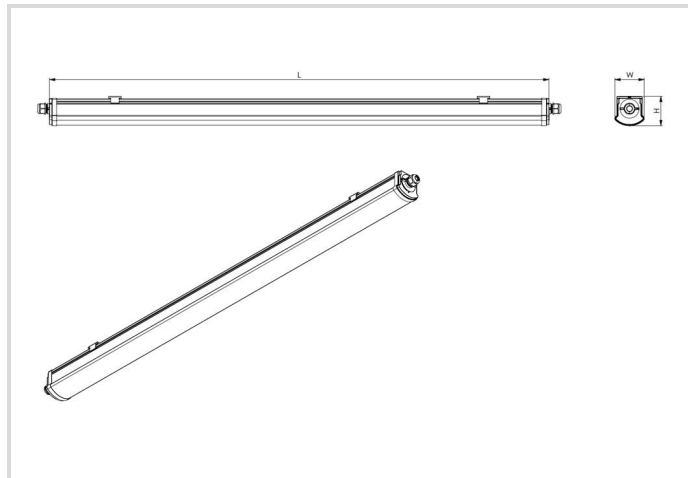
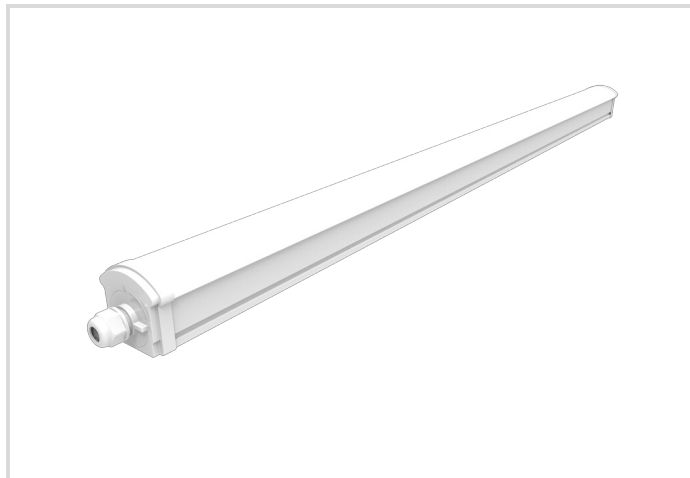


# LED Moisture-proof Luminaire Star IP66

1200/840 PS SR THRW

# Radium

Product Datasheet Date: 21.06.2026



4000K



## General Data

|                           |                               |
|---------------------------|-------------------------------|
| Article No.               | DAPA5109                      |
| Codice                    | DP S 1200/840 PS SR THRW IP66 |
| Product EAN               | 4003556015395                 |
| Box quantity (pcs.)       | 9                             |
| EAN Box                   | 4003556415393                 |
| Gross weight of box in kg | 10.73                         |
| Length of box in m        | 1.3                           |
| Width of box in m         | 0.245                         |
| Height of box in m        | 0.245                         |
| Product weight            | 1000 g                        |
| Product status            | ● Attivo                      |

## Electric Parameters

|                         |           |
|-------------------------|-----------|
| Factory setting wattage | 34.0 W    |
| Max. system power       | 34.0 W    |
| Power factor            | 0.9       |
| Nominal voltage         | 220-240 V |
| Voltage type            | AC        |

## Electric Parameters

|                              |            |
|------------------------------|------------|
| Factory setting lamp current | 226 mA     |
| Nominal current              | 146-226 mA |
| Inrush current               | 25.3 A     |
| Mains frequency              | 50/60 Hz   |
| Dimming with push-button     | No         |

## Light Application Parameters

|  |              |
|--|--------------|
| Luminous flux adjustable                       | Positions    |
| Factory setting luminous flux                  | 5100 lm      |
| Luminous flux                                  | 5100 lm      |
| Rated luminous flux according to IEC 62722-2-1 | 5100 lm      |
| Luminous flux @4000K                           | 3300-5100 lm |
| Beam angle adjustable                          | No           |
| Beam angle                                     | 130 °        |
| Unified Glare Ratio (UGR)                      | 26           |
| Efficacy / Luminous efficiency                 | 150 lm/W     |
| Colour of light adjustable                     | No           |
| Colour of light                                | White        |
| Color temperature                              | 4000 K       |
| Color coordinate X                             | 0.380        |
| Color coordinate Y                             | 0.380        |
| Color rendering index                          | ≥ 80         |
| Color Stability                                | ≤ 6 sdcn     |
| Light sharing                                  | Symmetric    |
| With light sensor                              | No           |

## Service Life

|                      |           |
|----------------------|-----------|
| Lifetime L70B50      | 75000 h   |
| Life L80B10          | 75000 h   |
| No. switching cycles | ≥ 100.000 |
| Guarantee            | 5         |

## Specification

|              |         |
|--------------|---------|
| Length       | 1258 mm |
| Height/depth | 67 mm   |
| Width        | 71 mm   |

# LED Moisture-proof Luminaire Star IP66

1200/840 PS SR THRW

# Radium

## Specification

|  |                        |
|--|------------------------|
| Impact strength                              | IK08                   |
| Photobiological safety according to EN 62471 | RG0                    |
| Material                                     | PC                     |
| Housing material                             | Plastic                |
| Material cover                               | Plastic matt/satinized |
| Housing colour                               | White                  |
| With light source                            | Si                     |

## Notes on Operation

|   |   |
|---|---|
| Degree of protection (IP)                         | IP66                                    |
| Protection class                                  | II                                      |
| Connection type                                   | Push-in clamp                           |
| Type of wiring                                    | Suitable for through wiring             |
| Max. number of luminaires per B10 circuit breaker | 20                                      |
| Max. number of luminaires per B16 circuit breaker | 20                                      |
| Filament test according to IEC 60695-2-11         | 750 °C - 30 s                           |
| Type of control gear                              | LED operating device voltage-controlled |
| With light sensor                                 | No                                      |
| With movement sensor                              | No                                      |
| Emergency power supply integrated                 | No                                      |

## Information especially for EPREL

|   |         |
|---|---------|
| Contains a lightsource of energy efficiency class | D       |
| Mains/Non mains connectable                       | MLS     |
| Color tunable light source                        | No      |
| Flickering value Pst LM                           | 1       |
| Stroboscope effect value SVM                      | 0.4     |
| EPREL ID number                                   | 2688236 |

## Notes

Robust design for damp/dusty environments. Easy installation, through-wiring, power select, homogeneous light, wide beam, not dimmable.

Please, refer to [www.radium.de/recycling](http://www.radium.de/recycling) for notes on disposal of burned-out lamps as well as lamp breakage.

The "lifespan L70" described for LED lamps indicates the number of hours when the luminous flux has decreased to 70% of its initial value.

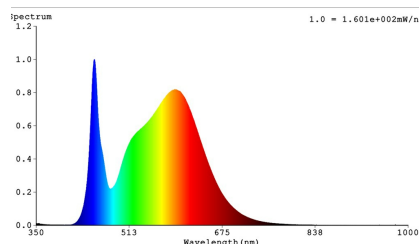
The optimal field 'info about service life' contains the frame conditions according to standards based on which the specific service life has been determined. So, for example, "12B50, 50Hz" means that the mean service life (B50) has been determined with a 12h switching cycle at mains (frequency 50Hz), "3B50, HF" is based on a 3h switching cycle at electronic control gear (high frequency).

# LED Moisture-proof Luminaire Star IP66

## 1200/840 PS SR THRW

# Radium

### Spectrum



### Special features



### General notes

The technical design data in accordance with DIN and IEC. The producer does not take any responsibility for damage to persons or property in case of unsuitable operation or handling of the product. Operating data and dimensions are valid within the usual tolerances. Related lamp types (different bases, mains voltages) may be available on request. Sale and delivery are effected in accordance with the Radium Terms of Delivery and Payment valid on the day of conclusion of contract. Packing units offer economical advantages to the purchase and logistic department. Please match your quantity volume accordingly. For orders of a minimum quantity (clefts) with a lamp model the amount lower than the volume of each packaging unit, we will invoice 10 % additional charge per lamp type. Technical changes and terms of delivery are reserved. Manipulation of any kind to packaging or product is not permissible as this will violate Radium brand rights. Furthermore, technical properties of the product can change to its disadvantage or even destruction. Therefore, Radium cannot be responsible for consequential damages.

® = Registered trademark

Subject to change without notice. Errors and omissions excepted.

All technical data without guarantee.