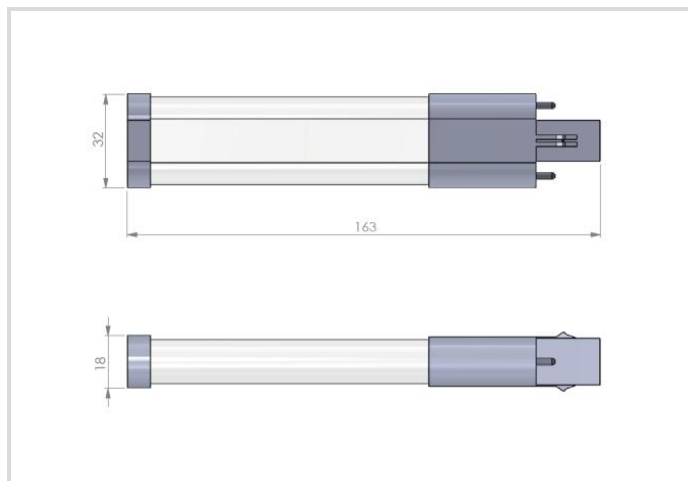
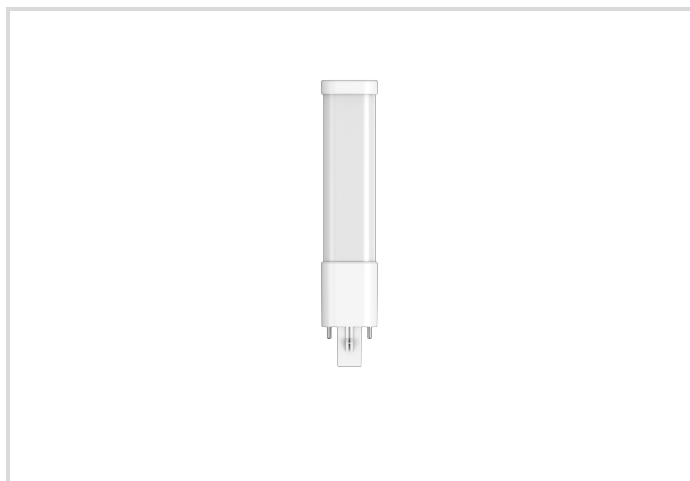


# LED Essence S - Retrofit for Ralux S

RL-S9 830/G23 EM

# Radium

Product Datasheet Date: 18.04.2026



E



550



3000K



50 000h



3 YEARS  
GUARANTEE

## General Data

Article No.	43619777
Codice	RL-S9 830/G23 EM
Product EAN	4008597197772
Box quantity (pcs.)	10
EAN Box	4008597497773
Gross weight of box in kg	0.48
Length of box in m	0.123
Width of box in m	0.081
Height of box in m	0.19
Product weight	34 g
Product status	● Attivo

## Electric Parameters

Wattage	5.0 W
Weighted energy consumption in 1000 hours	5 kWh
Lamp power	5.0 W
Nominal voltage	220-240 V
Voltage type	AC

## Electric Parameters

Nominal current	40 mA
Nominal current (mA)	40 mA
Inrush current	0.25 A
dimnable	No

## Light Application Parameters

Luminous flux	550 lm
Rated lamp luminous flux	550 lm
Luminous flux	550 lm
Beam angle	120 °
Efficacy	110 lm/W
Total mains efficacy	110 lm/W
Color temperature	3000 K
Color coordinate X	0.434
Color coordinate Y	0.403
Color rendering index	≥ 80
Color Stability	≤ 6 sdc <sub>m</sub>

## Service Life

Average life	50000 h
Mean service life	50000 h
Min. number of switching cycles	25000
Guarantee	3 years

## Specification

Energylabel (G -> A)	E
Diameter	32 mm
Length	163 mm
Length	163 mm
Burning position	any
Mercury content	0.0 mg
Photobiological safety according to EN 62471	RG1
Lamp shape	Tube, single-ended
Base	G23
Colour	White

# LED Essence S - Retrofit for Ralux S

RL-S9 830/G23 EM

**Radium**

## Notes on Operation

Degree of protection (IP)	IP20
Burning position	any
Mode of operation	CCG, 230V
Ambient temperatures	-20 ... +45°C
With movement sensor	No

## Information especially for EPREL

Lighting technology	LED
Mains/Non mains connectable	MLS
Directional or non-directional light	NDLS
Color tunable light source	No
Type of color temperature	SINGLE_VALUE
Color stability MacAdams EPREL	6
Displacement factor EPREL	0.50
Life factor EPREL	0.9
Lumen maintenance EPREL	0.96
Stroboscopic effect	0.4
EPREL ID number	1836042

## Miscellaneous

Similar products	43620576
------------------	----------

## Notes

LED compact lamp to exchange with Ralux S, warmwhite, plastic body, not dimmable, base G23.

Please, refer to [www.radium.de/recycling](http://www.radium.de/recycling) for notes on disposal of burned-out lamps as well as lamp breakage.

The "lifespan L70" described for LED lamps indicates the number of hours when the luminous flux has decreased to 70% of its initial value.

The optimal field 'info about service life' contains the frame conditions according to standards based on which the specific service life has been determined. So, for example, "12B50, 50Hz" means that the mean service life (B50) has been determined with a 12h switching cycle at mains (frequency 50Hz), "3B50, HF" is based on a 3h switching cycle at electronic control gear (high frequency).

### Base



G23  
IEC/EN 60061-1  
sheet 7004-69-1

### Spectrum

As daylight is a mixture of direct sunlight and light from the sky, the spectral distribution changes all the time due to the time of the day and the weather. The standard illuminant D65 corresponds to daylight with colour temperature of about 6500K.

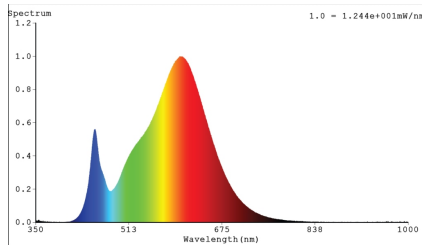
The colour of coloured LEDs depends on the chemical elements within the light generating chip. The coloured light is generated directly and does not need filtering.

White LEDs are either RGB (red + green + blue chip in one LED = light colour white) or blue LED-chips with yellow/orange phosphor in the resin. Visible region from 380 to 780 nm; height of graph corresponding with relative spectral emission (400mW/klm)per 10nm.

# LED Essence S - Retrofit for Ralux S

RL-S9 830/G23 EM

# Radium



LED retrofit lamps 3000K



daylight(D 65)

## Special features



## General notes

The technical design data in accordance with DIN and IEC. The producer does not take any responsibility for damage to persons or property in case of unsuitable operation or handling of the product. Operating data and dimensions are valid within the usual tolerances. Related lamp types (different bases, mains voltages) may be available on request. Sale and delivery are effected in accordance with the Radium Terms of Delivery and Payment valid on the day of conclusion of contract. Packing units offer economical advantages to the purchase and logistic department. Please match your quantity volume accordingly. For orders of a minimum quantity (clefts) with a lamp model the amount lower than the volume of each packaging unit, we will invoice 10 % additional charge per lamp type. Technical changes and terms of delivery are reserved. Manipulation of any kind to packaging or product is not permissible as this will violate Radium brand rights. Furthermore, technical properties of the product can change to its disadvantage or even destruction. Therefore, Radium cannot be responsible for consequential damages.

® = Registered trademark

Subject to change without notice. Errors and omissions excepted.

## Safety instructions

To ensure full light efficiency and product life, the permissible temperature ranges must be observed and dry environment ensured. When operated with existing control gear, their compatibility with the lamp must be checked.

All technical data without guarantee.