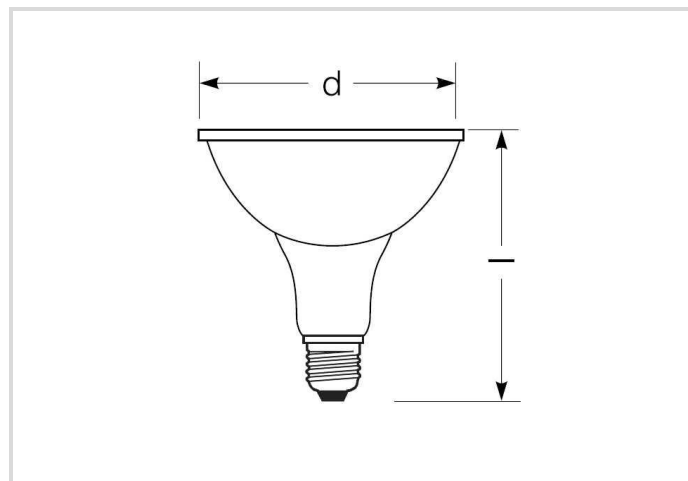


# LED Star PAR38

RL-PAR38 120 DIM 927/WFL/E27

# Radium

Product Datasheet Date: 05.06.2026



## General Data

Article No.	43720044
Codice	RL-PAR38 120 DIM 927/WFL
Product EAN	4008597200441
Box quantity (pcs.)	6
EAN Box	4008597600449
Gross weight of box in kg	3.255
Length of box in m	0.402
Width of box in m	0.278
Height of box in m	0.196
Product weight	366 g
Product status	<span style="color: red;">●</span> Inattivo

## Electric Parameters

Wattage	15.2 W
Nominal power	15.2 W
Weighted energy consumption in 1000 hours	16 kWh
Lamp power	15.0-15.0 W
Power factor	> 0.5

## Electric Parameters

Nominal voltage	220-240 V
Mains Voltage	220 - 240 V
Voltage type	AC
Nominal current	91-91 mA
Nominal current (mA)	91 mA
max. no. of lamps at 10A-B10 automatic fuse	110
max. no. of lamps at 16A-B16 automatic fuse	180
dimnable	Si

## Light Application Parameters

Luminous flux	1035 lm
Rated lamp luminous flux	1035 lm
Beam angle	30 °
Luminous intensity	2800 cd
Efficacy / Luminous efficiency	68 lm/W
Total mains efficacy	80 lm/W
Light colour	warmwhite
Color temperature	2700 K
Color coordinate X	0.458
Color coordinate Y	0.410
Color rendering index	≥ 90
Color rendering index nominal	90
Color Stability	≤ 6 sdcn

## Service Life

Average life	25000 h
Tc Temperature max.	85 °C
Mean service life	25000 h
No. switching cycles	[100000]
Lamp survival factor at 6000h	≥ 0.90
Early failure rate at 1000h	≤ 5.0 %
Guarantee	5 years

## Specification

Energylabel notice	current label, with EPREL registration
Energylabel (G -> A)	G

# LED Star PAR38

RL-PAR38 120 DIM 927/WFL/E27

# Radium

## Specification

Diameter	122 mm
Length	134 mm
Length	134 mm
Burning position	any
Mercury content	0.0 mg
Photobiological safety according to EN 62471	RG1
Lamp shape	Reflector
Base	E27
Colour	White

## Notes on Operation

protection class (IP)	IP65
Burning position	any
Mode of operation	230 V
Ambient temperatures	-20 ... +40 °C
Tc Temperature max.	85 °C
With movement sensor	No

## Information especially for EPREL

Energylabel notice	current label, with EPREL registration
Lighting technology	LED
Mains/Non mains connectable	MLS
Directional or non-directional light	DLS
Color tunable light source	No
Type of color temperature	SINGLE_VALUE
Color stability MacAdams EPREL	6
Displacement factor EPREL	0.70
Life factor EPREL	0.90
Lumen maintenance EPREL	0.70
Flicker	1.0
Stroboscopic effect	0.4
EPREL ID number	541567

## Miscellaneous

Similar products	44020203, 43720044
------------------	--------------------

# LED Star PAR38

RL-PAR38 120 DIM 927/WFL/E27

# Radium

## Notes

PAR38-LED for exchange with halogen lamps, warm white light, glass bulb, dimmable, base E27. LED light does not contain UV or IR radiation.

Please, refer to [www.radium.de/recycling](http://www.radium.de/recycling) for notes on disposal of burned-out lamps as well as lamp breakage.

The "lifespan L70" described for LED lamps indicates the number of hours when the luminous flux has decreased to 70% of its initial value.

The optimal field 'info about service life' contains the frame conditions according to standards based on which the specific service life has been determined. So, for example, "12B50, 50Hz" means that the mean service life (B50) has been determined with a 12h switching cycle at mains (frequency 50Hz), "3B50, HF" is based on a 3h switching cycle at electronic control gear (high frequency).

## Base



E27  
IEC/EN 60061-1  
sheet 7004-21-9

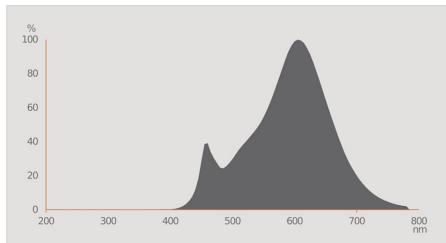
## Spectrum

As daylight is a mixture of direct sunlight and light from the sky, the spectral distribution changes all the time due to the time of the day and the weather. The standard illuminant D65 corresponds to daylight with colour temperature of about 6500K.

The colour of coloured LEDs depends on the chemical elements within the light generating chip. The coloured light is generated directly and does not need filtering.

White LEDs are either RGB (red + green + blue chip in one LED = light colour white) or blue LED-chips with yellow/orange phosphor in the resin.

Visible region from 380 to 780 nm; height of graph corresponding with relative spectral emission (400mW/klm)per 10nm.



LED-Retrofit-Lamps 2700K



daylight(D 65)

## Special features



## General notes

For LED replacement of halogen and incandescent lamps, we recommend direct replacement (1: 1) at the respective burning position. For new systems, the number of lamps in the circuit operated at control gear such as transformers or dimmers can be obtained from corresponding compatibility lists (if available). If there is no specification for the type of device or lamp required, for safety reasons, the replacement power shall be assumed as that of the original halogen type (eg "RL-MR16 35" -> 35W, independent of the real power consumption).

The technical design data in accordance with DIN and IEC. The producer does not take any responsibility for damage to persons or property in case of unsuitable operation or handling of the product. Operating data and dimensions are valid within the usual tolerances. Related lamp types (different bases, mains voltages) may be available on request. Sale and delivery are effected in accordance with the Radium Terms of Delivery and Payment valid on the day of conclusion of contract. Packing units offer economical advantages to the purchase and logistic department. Please match your quantity volume accordingly. For orders of a minimum quantity (clefs) with a lamp model the amount lower than the volume of each packaging unit, we will invoice 10 % additional charge per lamp type. Technical changes and terms of delivery are reserved. Manipulation of any kind to packaging or product is not permissible as this will violate Radium brand rights. Furthermore, technical properties of the product can change to its disadvantage or even destruction. Therefore, Radium cannot be responsible for consequential damages.

® = Registered trademark

Subject to change without notice. Errors and omissions excepted.

## Safety instructions

To ensure full light efficiency and product life, the permissible temperature ranges must be observed and dry environment ensured. When operated

## **LED Star PAR38**

RL-PAR38 120 DIM 927/WFL/E27

# **Radium**

with existing control gear, their compatibility with the lamp must be checked.

**All technical data without guarantee.**