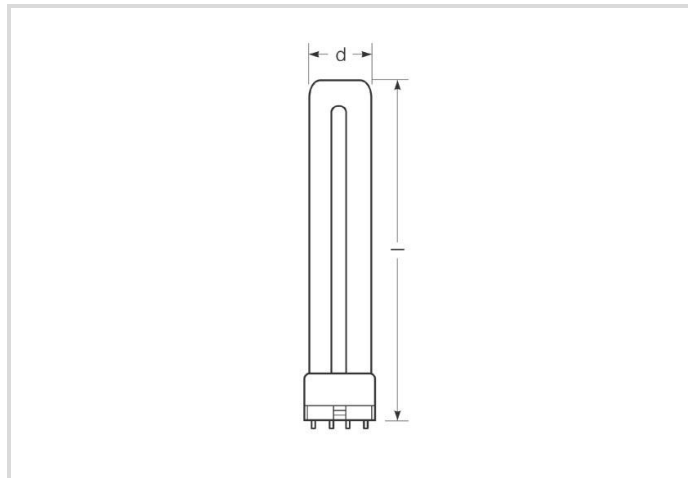


# Compact fluorescent lamp Ralux® Long

RX-L 18W/830/2G11

# Radium

Product Datasheet Date: 21.04.2026



G



1175



3000K



20 000h



Dimmable

## General Data

Article No.	31320383
Codice	RX-L 18W/830/2G11
Product EAN	4008597203831
Box quantity (pcs.)	10
EAN Box	4008597503832
Gross weight of box in kg	0.807
Length of box in m	0.136
Width of box in m	0.103
Height of box in m	0.26
Product weight	55 g
Product status	<span style="color: red;">●</span> Inattivo

## Electric Parameters

Wattage	18.9 W
Lamp nominal wattage	18 W
Weighted energy consumption in 1000 hours	19 kWh
Lamp voltage	58 V
Mains voltage	230 V

## Electric Parameters

Compensation capacitor for 50Hz operation	4.2 µF
dimnable	Si

## Light Application Parameters

Luminous flux	1200 lm
Rated lamp luminous flux	1175 lm
max. luminous flux at	25 °C
Efficacy	62 lm/W
Light colour	warm white
Code of light color	830
Colour temperature	3000 K
Color coordinate X	0,44
Color coordinate Y	0,403
Color rendering index	? 80
Mean luminance	2.1
Lumen maintenance at 2000h	0.94
Lumen maintenance at 4000h	0.90
Lumen maintenance at 6000h	0.88
Lumen maintenance at 8000h	0.85
Lumen maintenance at 12000h	0.84
Lumen maintenance at 16000h	0.81
Lumen maintenance at 20000h	0.80

## Service Life

Average life	20000 h
Lamp survival factor at 2000h	0.99
Lamp survival factor at 4000h	0.99
Lamp survival factor at 6000h	0.99
Lamp survival factor at 8000h	0.99
Lamp survival factor at 12000h	0.95
Lamp survival factor at 16000h	0.81
Lamp survival factor at 20000h	0.50

## Specification

Energylabel notice	current label, with EPREL registration
Energylabel (G -> A)	G

# Compact fluorescent lamp Ralux® Long

RX-L 18W/830/2G11

# Radium

## Specification

Diameter	38 mm
Total length max.	221 mm
Length	217 mm
Mercury content	1.7 mg
Base	2G11
Colour	Other

## Notes on Operation

Ambient temperatures	-5 ... +40 °C
----------------------	---------------

## Information especially for EPREL

Energylabel notice	current label, with EPREL registration
EPREL ID number	541291

## Miscellaneous

EU-date of phase-out	25.02.2023
EU Directive	RoHS
Similar products	31320384

## Notes

Compact fluorescent lamp, light colour 830, high luminous efficiency, good colour rendering, long life, base 2G11. Controllable by Dim-ECG.

Please, refer to [www.radium.de/recycling](http://www.radium.de/recycling) for notes on disposal of burned-out lamps as well as lamp breakage.

The "lifespan L70" described for LED lamps indicates the number of hours when the luminous flux has decreased to 70% of its initial value.

The optimal field 'info about service life' contains the frame conditions according to standards based on which the specific service life has been determined. So, for example, "12B50, 50Hz" means that the mean service life (B50) has been determined with a 12h switching cycle at mains (frequency 50Hz), "3B50, HF" is based on a 3h switching cycle at electronic control gear (high frequency).

### Base



2G11  
IEC/EN 60061-1  
sheet 7004-82-1

### Spectrum

Natural daylight is a mixture of direct sunlight and the light of the sky. Therefore, its spectral composition changes permanently due to the changing time of day. The standardised light classification D65 corresponds to a daylight with a colour temperature of approximately 6500 K.

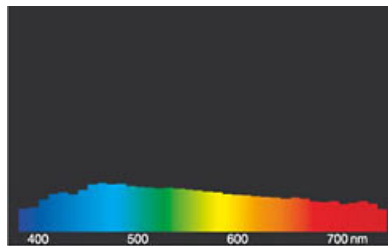
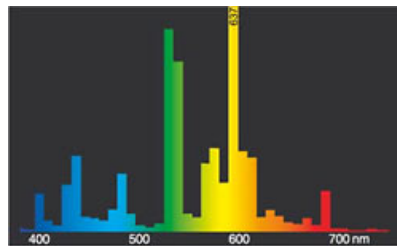
Every fluorescent lamp type has got an individual spectral power distribution according to its phosphor coating inside the bulb. From this result important properties light colour or colour rendering.

Visible region from 380 to 780 nm; height of graph corresponding with relative spectral emission (400mW/klm) per 10nm.

# Compact fluorescent lamp Ralux® Long

RX-L 18W/830/2G11

# Radium



daylight(D 65)

## Special features



## General notes

The technical design data in accordance with DIN and IEC. The producer does not take any responsibility for damage to persons or property in case of unsuitable operation or handling of the product. Operating data and dimensions are valid within the usual tolerances. Related lamp types (different bases, mains voltages) may be available on request. Sale and delivery are effected in accordance with the Radium Terms of Delivery and Payment valid on the day of conclusion of contract. Packing units offer economical advantages to the purchase and logistic department. Please match your quantity volume accordingly. For orders of a minimum quantity (clefs) with a lamp model the amount lower than the volume of each packaging unit, we will invoice 10 % additional charge per lamp type. Technical changes and terms of delivery are reserved. Manipulation of any kind to packaging or product is not permissible as this will violate Radium brand rights. Furthermore, technical properties of the product can change to its disadvantage or even destruction. Therefore, Radium cannot be responsible for consequential damages.

® = Registered trademark

Subject to change without notice. Errors and omissions excepted.

All technical data without guarantee.