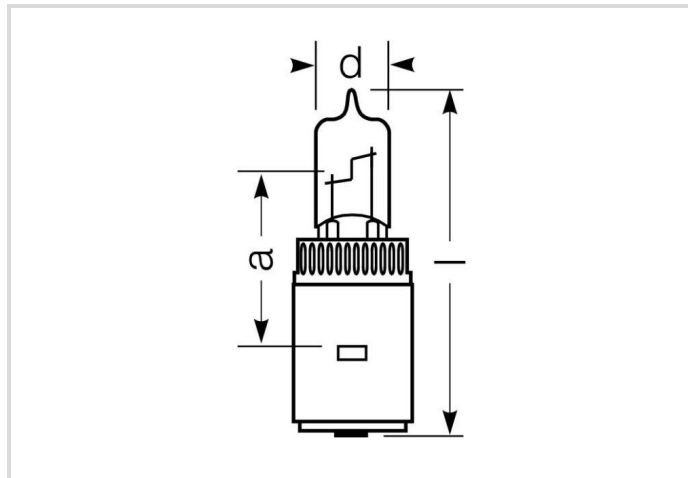


Halogen traffic lights lamp, 10V

SIG 64032 CL 20W 10V BA20S RO

Radium

Product Datasheet Date: 03.04.2026



270

General Data

Article No.	11418528
Codice	SIG 64032 RO
Product EAN	4058075163850
Box quantity (pcs.)	200
EAN Box	4058075163867
Gross weight of box in kg	5.174
Length of box in m	0.32
Width of box in m	0.27
Height of box in m	0.16
Product weight	20 g
Product status	● Inattivo

Electric Parameters

Wattage	20.0 W
Lamp voltage	10-10 V

Light Application Parameters

Rated lamp luminous flux	270 lm
--------------------------	--------

Service Life

B2 - Service life 2% failures	6000 h
-------------------------------	--------

Specification

Length	65 mm
Burning position	s105
Mercury content	0.0 mg
Model	Clear
Base	BA20s

Notes on Operation

Burning position	s105
------------------	------

Notes

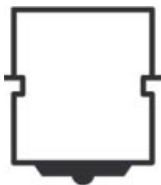
Low voltage traffic lighting lamp, base BA20s. Special lamps are not suitable for general lighting. Single lamp life (B2) critical for application.

Please, refer to www.radium.de/recycling for notes on disposal of burned-out lamps as well as lamp breakage.

The "lifespan L70" described for LED lamps indicates the number of hours when the luminous flux has decreased to 70% of its initial value.

The optimal field 'info about service life' contains the frame conditions according to standards based on which the specific service life has been determined. So, for example, "12B50, 50Hz" means that the mean service life (B50) has been determined with a 12h switching cycle at mains (frequency 50Hz), "3B50, HF" is based on a 3h switching cycle at electronic control gear (high frequency).

Base



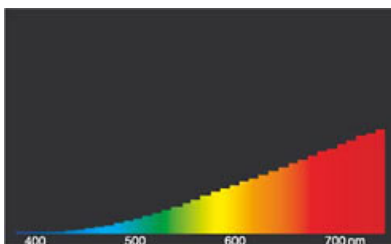
BA20s
IEC/EN 60061-1
sheet 7004-12-7

Spectrum

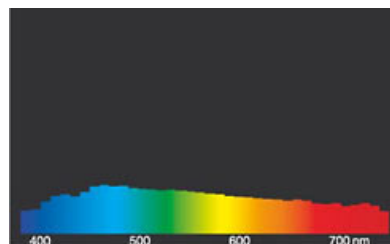
As daylight is a mixture of direct sunlight and light from the sky, the spectral distribution changes all the time due to the time of the day and the weather. The standard illuminant D65 corresponds to daylight with colour temperature of about 6500K.

Incandescent lamps have got a continuous red-dominated spectrum as the light is generated by heating up a tungsten filament.

Visible region from 380 to 780 nm; height of graph corresponding with relative spectral emission (400mW/klm)per 10nm.



light of incandescent lamps



daylight(D 65)

General notes

The technical design data in accordance with DIN and IEC. The producer does not take any responsibility for damage to persons or property in case

Halogen traffic lights lamp, 10V

SIG 64032 CL 20W 10V BA20S RO

Radium

of unsuitable operation or handling of the product. Operating data and dimensions are valid within the usual tolerances. Related lamp types (different bases, mains voltages) may be available on request. Sale and delivery are effected in accordance with the Radium Terms of Delivery and Payment valid on the day of conclusion of contract. Packing units offer economical advantages to the purchase and logistic department. Please match your quantity volume accordingly. For orders of a minimum quantity (clefts) with a lamp model the amount lower than the volume of each packaging unit, we will invoice 10 % additional charge per lamp type. Technical changes and terms of delivery are reserved. Manipulation of any kind to packaging or product is not permissible as this will violate Radium brand rights. Furthermore, technical properties of the product can change to its disadvantage or even destruction. Therefore, Radium cannot be responsible for consequential damages.

® = Registered trademark

Subject to change without notice. Errors and omissions excepted.

All technical data without guarantee.