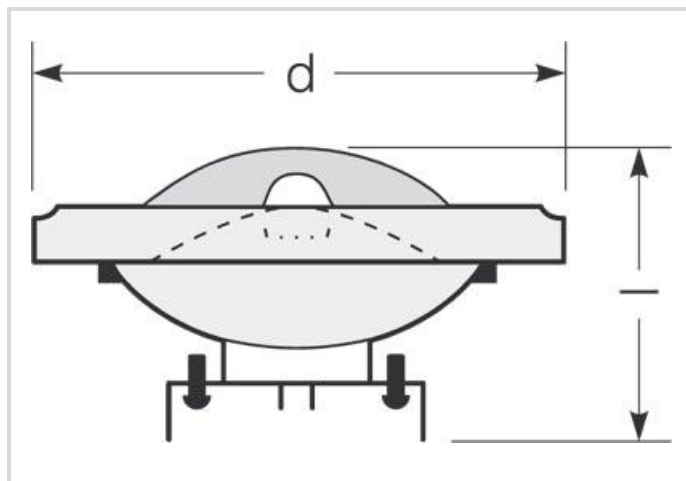


Low voltage halogen reflector lamp AR111

RJL 100W/12/SKY/WFL/G53

Radium

Product Datasheet Date: 04.11.2025



C



G



1200



3000K



3 000h



Dimmable

General Data

Article No.	22311228
Codice	RJL 100W/12/SKY/WFL/G53
Product EAN	4008597112287
Box quantity (pcs.)	6
EAN Box	4008597412288
Gross weight of box in kg	0.66
Length of box in m	0.28
Width of box in m	0.19
Height of box in m	0.13
Product weight	52 g
Product status	● Inattivo

Electric Parameters

Wattage	100.0 W
Lamp nominal wattage	100 W
Weighted energy consumption in 1000 hours	106 kWh
Power factor	1.00
Lamp voltage	12-12 V

Low voltage halogen reflector lamp AR111

RJL 100W/12/SKY/WFL/G53

Radium

Electric Parameters

Mains voltage	12 V
Nominal current (A)	8.33 A
dimnable	Si

Light Application Parameters

Rated lamp luminous flux	1200 lm
Luminous flux in 90°-sector	1200 lm
Luminous intensity	2800 cd
Beam angle	40 °
Efficacy	12 lm/W
Colour temperature	3000 K
Color rendering index	100

Service Life

Average life	3000 h
No. switching cycles	75000

Specification

Energylabel notice	old label, no EPREL registration, no EU data sheet
Energylabel (G -> A)	G
Energylabel (E -> A++)	C
Diameter	111 mm
Length	67 mm
Total length max.	67 mm
Burning position	any
Mercury content	0.0 mg
Design	Wide Flood
Base	G53
Colour	White

Notes on Operation

Burning position	any
------------------	-----

Information especially for EPREL

Energylabel notice	old label, no EPREL registration, no EU data sheet
--------------------	--

Low voltage halogen reflector lamp AR111

RJL 100W/12/SKY/WFL/G53

Radium

Miscellaneous

EU-date of phase-out	01.09.2016
----------------------	------------

EU Directive	DIM2
--------------	------

Notes

Please, refer to www.radium.de/recycling for notes on disposal of burned-out lamps as well as lamp breakage.

The "lifespan L70" described for LED lamps indicates the number of hours when the luminous flux has decreased to 70% of its initial value.

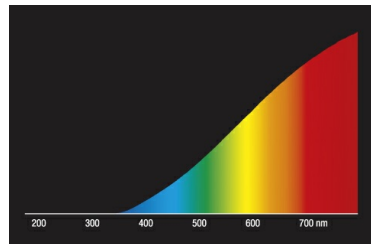
The optimal field 'info about service life' contains the frame conditions according to standards based on which the specific service life has been determined. So, for example, "12B50, 50Hz" means that the mean service life (B50) has been determined with a 12h switching cycle at mains (frequency 50Hz), "3B50, HF" is based on a 3h switching cycle at electronic control gear (high frequency).

Base

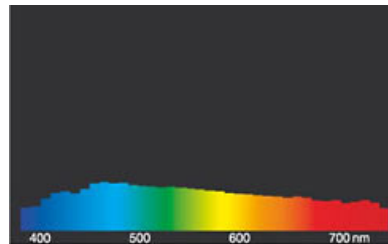


G53
IEC/EN 60061-1
sheet 7004-134-1

Spectrum

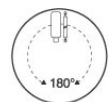


light of incandescent lamps



daylight(D 65)

Special features



General notes

The technical design data in accordance with DIN and IEC. The producer does not take any responsibility for damage to persons or property in case of unsuitable operation or handling of the product. Operating data and dimensions are valid within the usual tolerances. Related lamp types (different bases, mains voltages) may be available on request. Sale and delivery are effected in accordance with the Radium Terms of Delivery and Payment valid on the day of conclusion of contract. Packing units offer economical advantages to the purchase and logistic department. Please match your quantity volume accordingly. For orders of a minimum quantity (clefts) with a lamp model the amount lower than the volume of each packaging unit, we will invoice 10 % additional charge per lamp type. Technical changes and terms of delivery are reserved. Manipulation of any kind to packaging or product is not permissible as this will violate Radium brand rights. Furthermore, technical properties of the product can change to its disadvantage or even destruction. Therefore, Radium cannot be responsible for consequential damages.

® = Registered trademark

Subject to change without notice. Errors and omissions excepted.

All technical data without guarantee.