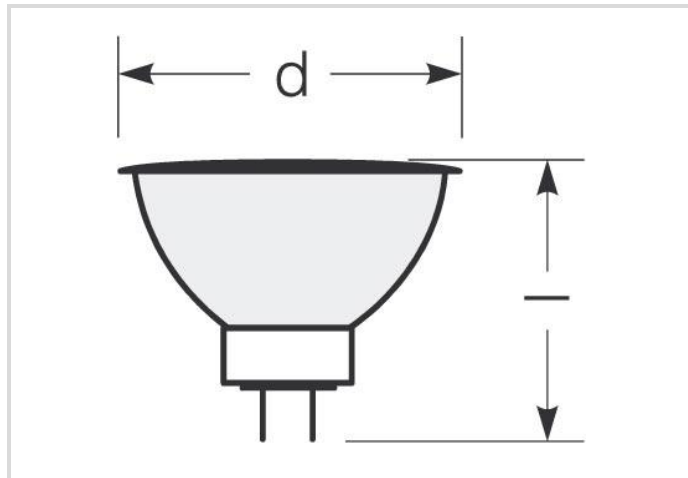


MR16 halogen dichroic lamp

RJLS 20W/12/IRC/FL/GU5.3

Radium

Product Datasheet Date: 02.04.2026



B



G



300



3000K



5 000h



Dimmable

General Data

Article No.	22313465
Codice	RJLS 20W/12/IRC/FL/GU5.3
Product EAN	4008597134654
Box quantity (pcs.)	20
EAN Box	4008597434655
Gross weight of box in kg	0.828
Length of box in m	0.25
Width of box in m	0.11
Height of box in m	0.13
Product weight	30 g
Product status	● Inattivo

Electric Parameters

Wattage	20.0 W
Lamp nominal wattage	20 W
Weighted energy consumption in 1000 hours	22 kWh
Power factor	1.00
Lamp voltage	12-12 V

Electric Parameters

Mains voltage	12 V
Nominal current (A)	1.67 A
dimnable	Si

Light Application Parameters

Rated lamp luminous flux	300 lm
Luminous flux in 90°-sector	300 lm
Luminous intensity	2000 cd
Beam angle	24 °
Efficacy	15 lm/W
Colour temperature	3000 K
Color rendering index	100

Service Life

Average life	5000 h
No. switching cycles	125000

Specification

Energylabel notice	old label, no EPREL registration, no EU data sheet
Energylabel (G -> A)	G
Energylabel (E -> A++)	B
Diameter	51 mm
Length	46 mm
Total length max.	46 mm
Burning position	any
Mercury content	0.0 mg
Design	Flood
Base	GU5.3
Colour	Other

Notes on Operation

Burning position	any
------------------	-----

Information especially for EPREL

Energylabel notice	old label, no EPREL registration, no EU data sheet
--------------------	--

MR16 halogen dichroic lamp

RJLS 20W/12/IRC/FL/GU5.3

Radium

Miscellaneous

EU Directive

DIM2

Notes

IRC low voltage halogen reflector lamp MR16 with front screen, 12V operation with transformer, base GU5.3, stepless dim, 5000 h mean service life

Please, refer to www.radium.de/recycling for notes on disposal of burned-out lamps as well as lamp breakage.

The "lifespan L70" described for LED lamps indicates the number of hours when the luminous flux has decreased to 70% of its initial value.

The optimal field 'info about service life' contains the frame conditions according to standards based on which the specific service life has been determined. So, for example, "12B50, 50Hz" means that the mean service life (B50) has been determined with a 12h switching cycle at mains (frequency 50Hz), "3B50, HF" is based on a 3h switching cycle at electronic control gear (high frequency).

Base



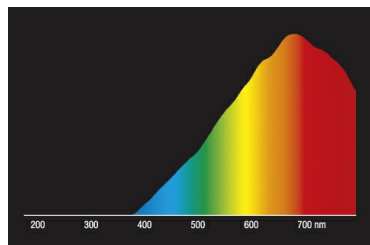
GU5.3
IEC/EN 60061-1
sheet 7004-109-2

Spectrum

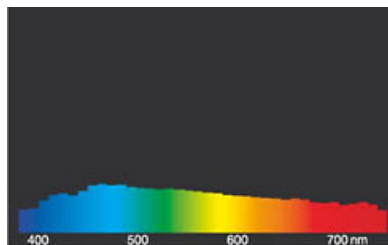
As daylight is a mixture of direct sunlight and light from the sky, the spectral distribution changes all the time due to the time of the day and the weather. The standard illuminant D65 corresponds to daylight with colour temperature of about 6500K.

Incandescent lamps have got a continuous red-dominated spectrum as the light is generated by heating up a tungsten filament. The addition of halogens to the filling gas enhance the efficiency and prevents blackening. Further increase in efficiency can be achieved by adding Xenon and/or IRC-coating.

Visible region from 380 to 780 nm; height of graph corresponding with relative spectral emission (400mW/klm)per 10nm.

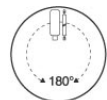


light of incandescent lamps



daylight(D 65)

Special features



IRC

General notes

The technical design data in accordance with DIN and IEC. The producer does not take any responsibility for damage to persons or property in case of unsuitable operation or handling of the product. Operating data and dimensions are valid within the usual tolerances. Related lamp types (different bases, mains voltages) may be available on request. Sale and delivery are effected in accordance with the Radium Terms of Delivery and Payment valid on the day of conclusion of contract. Packing units offer economical advantages to the purchase and logistic department. Please match your quantity volume accordingly. For orders of a minimum quantity (clefts) with a lamp model the amount lower than the volume of each packaging unit, we will invoice 10 % additional charge per lamp type. Technical changes and terms of delivery are reserved. Manipulation of any kind to packaging or product is not permissible as this will violate Radium brand rights. Furthermore, technical properties of the product can change to its disadvantage or even destruction. Therefore, Radium cannot be responsible for consequential damages.

® = Registered trademark

Subject to change without notice. Errors and omissions excepted.

MR16 halogen dichroic lamp

RJLS 20W/12/IRC/FL/GU5.3

Radium

All technical data without guarantee.