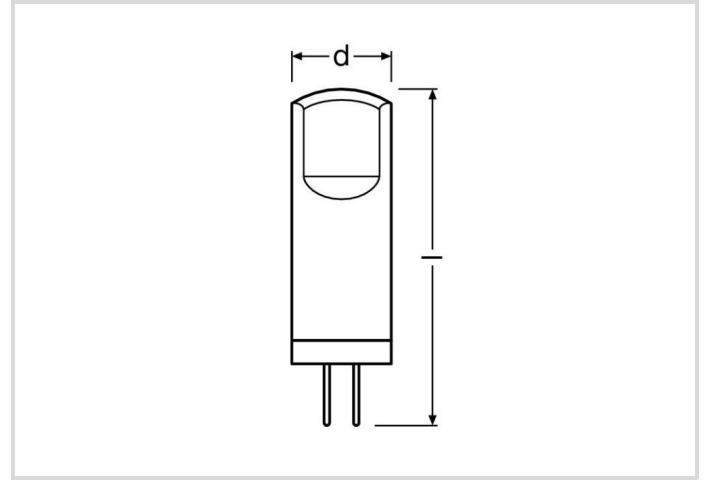
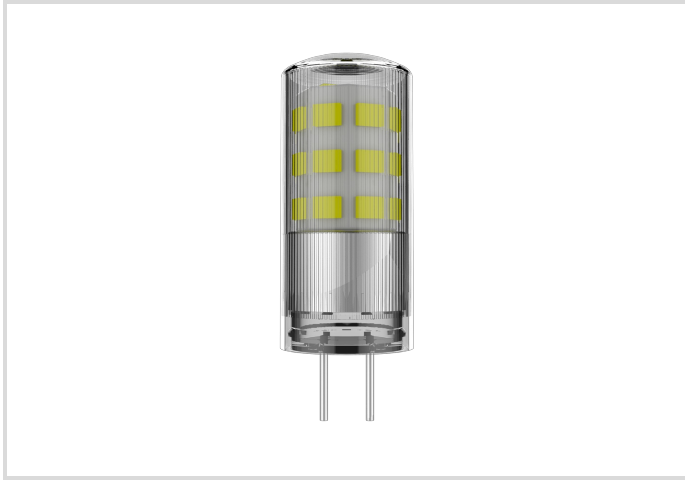


LED Essence Pin

RL-PIN40 DIM 827/C/GY6.35

Radium

Product Datasheet Date: 30.05.2026



E



2700K



15 000h



3
YEARS
GUARANTEE

General Data

Code Radium	43821377
Désignation	RL-PIN40 DIM 827/C/GY6.35
EAN 10 (unité)	4008597213779
Unité de transport (pièces)	6
EAN 40 (carton)	4008597413773
Poids brut du carton en kg	0.109
Longueur box in m	0.092
Largeur du carton en m	0.062
Hauteur du carton en m	0.068
Product weight	8 g
Product status	● Actif

Electric Parameters

Wattage	3.8 W
Weighted energy consumption in 1000 hours	4 kWh
Lamp power	3.8 W
Nominal voltage	11-12 V
Voltage type	AC/DC

Electric Parameters

Nominal current	369 mA
Inrush current	5.4 A
max. no. of lamps at 10A-B10 automatic fuse	18
max. no. of lamps at 16A-B16 automatic fuse	30
dimnable	Non

Light Application Parameters

Rated luminous flux according to IEC 62612	470 lm
Luminous flux	470 lm
Beam angle	270 °
Efficacy / Luminous efficiency	114,5 lm/W
Total mains efficacy	114,5 lm/W
Color temperature	2700 K
Color coordinate X	0.458
Color coordinate Y	0.410
Colour rendering index CRI	80-89
Color Stability	≤ 6 sdc _m

Service Life

Average life	15000 h
Min. number of switching cycles	20000
Guarantee	3 years

Specification

Energylabel (G -> A)	E
Diameter	17 mm
Length	46 mm
Length	46 mm
Photobiological safety according to EN 62471	RG1
Lamp shape	Capsule
Base	GY6.35
Colour	White

Notes on Operation

Degree of protection (IP)	IP20
Ambient temperatures	-20 ... +45 °C
With movement sensor	Non

Information especially for EPREL

Lighting technology	LED
Displacement factor EPREL	0,5
Life factor EPREL	0.9
Lumen maintenance EPREL	0.96
EPREL ID number	2600324

Notes

LED PIN lamp for exchange with 12V halogen pin-base lamps, base GY6.35, dimmable.

Please, refer to www.radium.de/recycling for notes on disposal of burned-out lamps as well as lamp breakage.

The "lifespan L70" described for LED lamps indicates the number of hours when the luminous flux has decreased to 70% of its initial value.

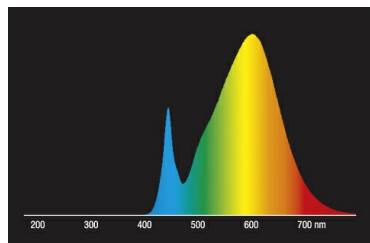
The optimal field 'info about service life' contains the frame conditions according to standards based on which the specific service life has been determined. So, for example, "12B50, 50Hz" means that the mean service life (B50) has been determined with a 12h switching cycle at mains (frequency 50Hz), "3B50, HF" is based on a 3h switching cycle at electronic control gear (high frequency).

Courbes spectrales

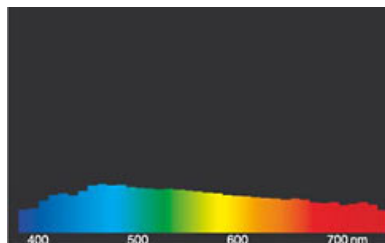
As daylight is a mixture of direct sunlight and light from the sky, the spectral distribution changes all the time due to the time of the day and the weather. The standard illuminant D65 corresponds to daylight with colour temperature of about 6500K.

The colour of coloured LEDs depends on the chemical elements within the light generating chip. The coloured light is generated directly and does not need filtering.

White LEDs are either RGB (red + green + blue chip in one LED = light colour white) or blue LED-chips with yellow/orange phosphor in the resin. Visible region from 380 to 780 nm; height of graph corresponding with relative spectral emission (400mW/klm)per 10nm.



LED-Retrofit-Lamps 2700K



daylight(D 65)

Particularités



Notices explicatives générales

For LED replacement of halogen and incandescent lamps, we recommend direct replacement (1: 1) at the respective burning position. For new systems, the number of lamps in the circuit operated at control gear such as transformers or dimmers can be obtained from corresponding compatibility lists (if available). If there is no specification for the type of device or lamp required, for safety reasons, the replacement power shall be assumed as that of the original halogen type (eg "RL-MR16 35" -> 35W, independent of the real power consumption).

The technical design data in accordance with DIN and IEC. The producer does not take any responsibility for damage to persons or property in case of unsuitable operation or handling of the product. Operating data and dimensions are valid within the usual tolerances. Related lamp types (different bases, mains voltages) may be available on request. Sale and delivery are effected in accordance with the Radium Terms of Delivery and Payment valid on the day of conclusion of contract. Packing units offer economical advantages to the purchase and logistic department. Please match your quantity volume accordingly. For orders of a minimum quantity (clefts) with a lamp model the amount lower than the volume of each packaging unit, we will invoice 10 % additional charge per lamp type. Technical changes and terms of delivery are reserved. Manipulation of any kind to packaging or product is not permissible as this will violate Radium brand rights. Furthermore, technical properties of the product can change to its disadvantage or even destruction. Therefore, Radium cannot be responsible for consequential damages.

® = Registered trademark

Subject to change without notice. Errors and omissions excepted.

LED Essence Pin

RL-PIN40 DIM 827/C/GY6.35

Radium

Consignes de sécurité

To ensure full light efficiency and product life, the permissible temperature ranges must be observed and dry environment ensured. When operated with existing control gear, their compatibility with the lamp must be checked.

All technical data without guarantee.