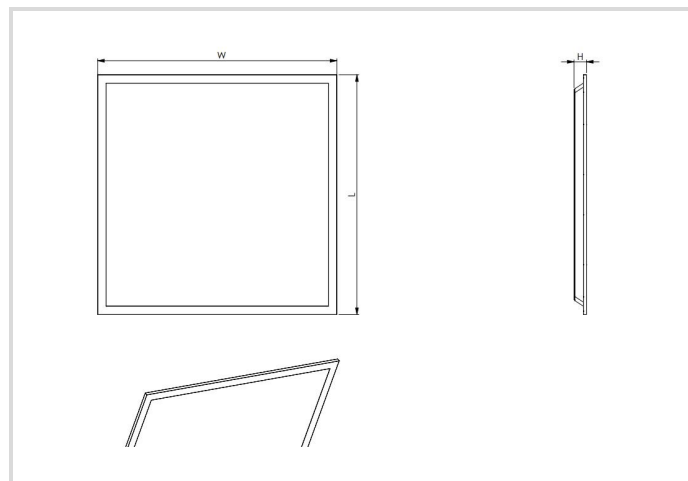


LED Grid Luminaire Essence, Panel 625

33W/830 UGR IP40

Radium

Product Datasheet Date: 31.05.2026



3000K



3
YEARS
GUARANTEE

General Data

Code Radium	PNLA5077
Désignation	PL E 625 33W/830 UGR IP40
EAN 10 (unité)	4003556015074
Unité de transport (pièces)	6
EAN 40 (carton)	4003556415072
Poids brut du carton en kg	12.96
Longueur box in m	0.68
Largeur du carton en m	0.24
Hauteur du carton en m	0.643
Product weight	1650 g
Product status	● Actif

Electric Parameters

Max. system power	33.0 W
Nominal voltage	220-240 V
Voltage type	AC
Nominal current	167 mA
Nominal current (mA)	167 mA

Electric Parameters

Number of poles	2
Inrush current	25.4 A
Mains frequency	50/60 Hz Hz
Dimming with push-button	Non

Light Application Parameters

Luminous flux adjustable	Non
Luminous flux	3700 lm
Rated luminous flux according to IEC 62722-2-1	3700 lm
Beam angle adjustable	Non
Beam angle	85 °
Unified Glare Ratio (UGR)	19
Efficacy / Luminous efficiency	112 lm/W
Colour of light adjustable	Non
CCT Switch	Non
Colour of light	White
Color temperature	3000 K
Color coordinate X	0.434
Color coordinate Y	0.403
Color rendering index	≥ 80
Color Stability	≤ 3 sdcn
Light sharing	Symmetric
With light sensor	Non

Service Life

Lifetime L70B50	50000 h
Life L80B10	50000 h
No. switching cycles	≥ 100.000
Guarantee	3

Specification

Length	620 mm
Height/depth	34 mm
Width	620 mm
Material	Steel sheet/ PS
Impact strength	IK02

LED Grid Luminaire Essence, Panel 625

33W/830 UGR IP40

Radium

Specification

Photobiological safety according to EN 62471	RG0
With light source	Oui

Notes on Operation

Degree of protection (IP)	IP40
Connection type	Push-in clamp
Type of wiring	Ending
Max. number of luminaires per B10 circuit breaker	22
Max. number of luminaires per B16 circuit breaker	35
Filament test according to IEC 60695-2-11	650 °C - 30 s
Type of control gear	LED operating device voltage-controlled
With light sensor	Non
With movement sensor	Non
Suitable for emergency lighting	Non
Emergency power supply integrated	Non

Information especially for EPREL

Contains a lightsource of energy efficiency class	D
Mains/Non mains connectable	MLS
Directional or non-directional light	NDLS
Color tunable light source	Non
Type of color temperature	SINGLE_VALUE
Flickering value Pst LM	1
Stroboscope effect value SVM	0.4
EPREL ID number	2654155

Notes

Flat IP40 LED retrofit panel 625x625 mm, 33W with integrated LED driver, low glare (UGR), light color 3000K

Please, refer to www.radium.de/recycling for notes on disposal of burned-out lamps as well as lamp breakage.

The "lifespan L70" described for LED lamps indicates the number of hours when the luminous flux has decreased to 70% of its initial value.

The optimal field 'info about service life' contains the frame conditions according to standards based on which the specific service life has been determined. So, for example, "12B50, 50Hz" means that the mean service life (B50) has been determined with a 12h switching cycle at mains (frequency 50Hz), "3B50, HF" is based on a 3h switching cycle at electronic control gear (high frequency).

Particularités



Notices explicatives générales

The technical design data in accordance with DIN and IEC. The producer does not take any responsibility for damage to persons or property in case

LED Grid Luminaire Essence, Panel 625

33W/830 UGR IP40

Radium

of unsuitable operation or handling of the product. Operating data and dimensions are valid within the usual tolerances. Related lamp types (different bases, mains voltages) may be available on request. Sale and delivery are effected in accordance with the Radium Terms of Delivery and Payment valid on the day of conclusion of contract. Packing units offer economical advantages to the purchase and logistic department. Please match your quantity volume accordingly. For orders of a minimum quantity (clefts) with a lamp model the amount lower than the volume of each packaging unit, we will invoice 10 % additional charge per lamp type. Technical changes and terms of delivery are reserved. Manipulation of any kind to packaging or product is not permissible as this will violate Radium brand rights. Furthermore, technical properties of the product can change to its disadvantage or even destruction. Therefore, Radium cannot be responsible for consequential damages.

® = Registered trademark

Subject to change without notice. Errors and omissions excepted.

All technical data without guarantee.