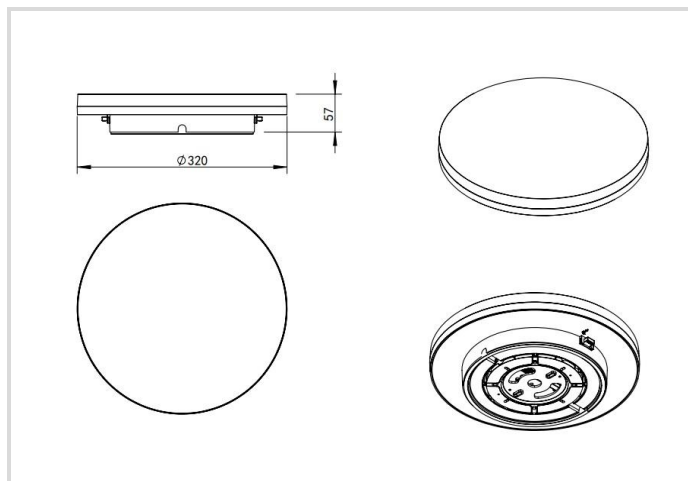


LED Surface Luminaire Star IP54 SENSOR

Surface S 320mm 20W PS CCT

Radium

Product Datasheet Date: 02.04.2026



30006000K

General Data

Code Radium	SFSA5127
Désignation	SF S 320 20W PS CCT IP54 SENSOR
EAN 10 (unité)	4003556015548
Unité de transport (pièces)	10
EAN 40 (carton)	4003556415546
Poids brut du carton en kg	13.53
Longueur box in m	0.685
Largeur du carton en m	0.365
Hauteur du carton en m	0.355
Product weight	1070 g
Product status	● Actif

Electric Parameters

Max. system power	20.0 W
Nominal voltage	220-240 V
Voltage type	AC
Nominal current	280-280 mA
Nominal current (mA)	280 mA

LED Surface Luminaire Star IP54 SENSOR

Surface S 320mm 20W PS CCT

Radium

Electric Parameters

Inrush current	22 A
Mains frequency	50/60 Hz Hz
dimmable	Non
Dimming with push-button	Non

Light Application Parameters

Luminous flux adjustable	Positions
Luminous flux	2400 lm
Rated luminous flux according to IEC 62722-2-1	2400 lm
Luminous flux @3000K	1140-2280 lm
Luminous flux @4000K	1200-2400 lm
Luminous flux Q 6000/6500K	1200-2400 lm
Beam angle adjustable	Non
Beam angle	110 °
Unified Glare Ratio (UGR)	25
Efficacy	120 lm/W
Total mains efficacy	120 lm/W
Colour of light adjustable	Positions
CCT Switch	Non
Colour of light	White
Color temperature	3000 / 4000 / 6000 K
Color coordinate X	0.367
Color coordinate Y	0.361
Color rendering index	≥ 90
Color Stability	≤ 5 sdc _m
With light sensor	Oui

Service Life

Lifetime L70B50	70000 h
Life L80B10	70000 h
No. switching cycles	≥ 10.000
Guarantee	5

Specification

Diameter	320 mm
Length	320 mm

LED Surface Luminaire Star IP54 SENSOR

Surface S 320mm 20W PS CCT

Radium

Specification

Height/depth	57 mm
Width	320 mm
Material	PC
Impact strength	IK10
Photobiological safety according to EN 62471	RG0
With light source	Oui
Exchangeable control gear	Oui

Notes on Operation

Degree of protection (IP)	IP54
Connection type	Push-in clamp
Type of wiring	Suitable for through wiring
Max. number of luminaires per B10 circuit breaker	36
Max. number of luminaires per B16 circuit breaker	58
Ambient temperatures	-20 ... +40 °C
Filament test according to IEC 60695-2-11	850 °C - 30 s
Type of control gear	LED operating device voltage-controlled
With light sensor	Oui
With movement sensor	Oui
Suitable for emergency lighting	Non
Emergency power supply integrated	Non

Information especially for EPREL

Contains a lightsource of energy efficiency class	E
Mains/Non mains connectable	MLS
Directional or non-directional light	NDLS
Color tunable light source	Oui
Type of color temperature	STEPS
Color rendering index R9	86
Flickering value Pst LM	1
Stroboscope effect value SVM	0.4
EPREL ID number	2554272

LED Surface Luminaire Star IP54 SENSOR

Surface S 320mm 20W PS CCT

Radium

Notes

High-efficient, universal LED wall and ceiling luminaire IP54, integrated LED driver with power select and sensor, adjustable light color (steps)

Please, refer to www.radium.de/recycling for notes on disposal of burned-out lamps as well as lamp breakage.

The "lifespan L70" described for LED lamps indicates the number of hours when the luminous flux has decreased to 70% of its initial value.

The optimal field 'info about service life' contains the frame conditions according to standards based on which the specific service life has been determined. So, for example, "12B50, 50Hz" means that the mean service life (B50) has been determined with a 12h switching cycle at mains (frequency 50Hz), "3B50, HF" is based on a 3h switching cycle at electronic control gear (high frequency).

Particularités



Notices explicatives générales

The technical design data in accordance with DIN and IEC. The producer does not take any responsibility for damage to persons or property in case of unsuitable operation or handling of the product. Operating data and dimensions are valid within the usual tolerances. Related lamp types (different bases, mains voltages) may be available on request. Sale and delivery are effected in accordance with the Radium Terms of Delivery and Payment valid on the day of conclusion of contract. Packing units offer economical advantages to the purchase and logistic department. Please match your quantity volume accordingly. For orders of a minimum quantity (clefts) with a lamp model the amount lower than the volume of each packaging unit, we will invoice 10 % additional charge per lamp type. Technical changes and terms of delivery are reserved. Manipulation of any kind to packaging or product is not permissible as this will violate Radium brand rights. Furthermore, technical properties of the product can change to its disadvantage or even destruction. Therefore, Radium cannot be responsible for consequential damages.

® = Registered trademark

Subject to change without notice. Errors and omissions excepted.

All technical data without guarantee.