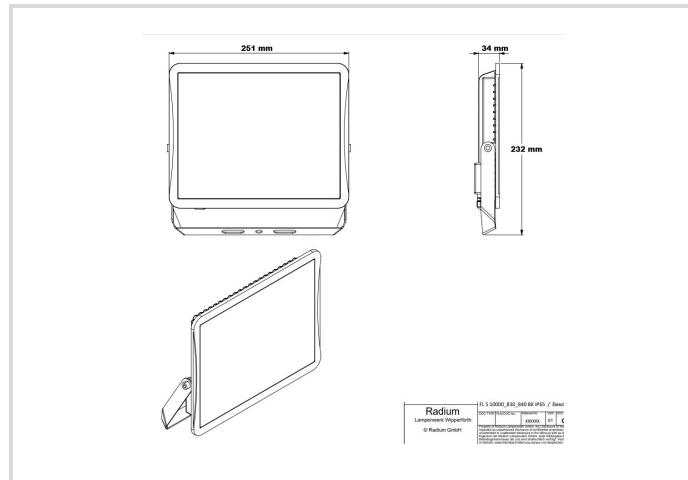


LED Floodlight Star IP65

10.000/830 black

Radium

Product Datasheet Date: 02.04.2026



3000K



5
YEARS
GUARANTEE

General Data

Code Radium	FLLA5096
Désignation	FL S 10000/830 BK IP65
EAN 10 (unité)	4003556015302
Unité de transport (pièces)	6
EAN 40 (carton)	4003556415300
Poids brut du carton en kg	8.306
Longueur box in m	0.535
Largeur du carton en m	0.17
Hauteur du carton en m	0.245
Product weight	1250 g
Product status	● Actif

Electric Parameters

Max. system power	74.1 W
Nominal voltage	220-240 V
Voltage type	AC
Nominal current	374 mA
Nominal current (mA)	374 mA

LED Floodlight Star IP65

10.000/830 black

Radium

Electric Parameters

Inrush current	22 A
Mains frequency	50/60 Hz Hz
Dimming with push-button	Non

Light Application Parameters

Luminous flux adjustable	Non
Luminous flux	9300 lm
Luminous flux	9300 lm
Beam angle adjustable	Non
Beam angle	100 °
Unified Glare Ratio (UGR)	31
Efficacy	126 lm/W
Total mains efficacy	126 lm/W
Colour of light adjustable	Non
CCT Switch	Non
Colour of light	White
Code of light color	830
Color temperature	3000 K
Color coordinate X	0.434
Color coordinate Y	0.403
Color rendering index	≥ 80
Color Stability	≤ 6 sdc _m
Light sharing	Symmetric
With light sensor	Non

Service Life

Lifetime L70B50	50000 h
Life L80B10	50000 h
No. switching cycles	≥ 100000
Guarantee	5

Specification

Length	251 mm
Height/depth	232 mm
Width	34 mm
Material	CC1000068

LED Floodlight Star IP65

10.000/830 black

Radium

Specification

Impact strength	IK06
Photobiological safety according to EN 62471	RG0
With light source	Oui
Exchangeable control gear	Non

Notes on Operation

Degree of protection (IP)	IP65
Connection type	Other
Type of connection	Cable
Type of wiring	Ending
Max. number of luminaires per B10 circuit breaker	6
Max. number of luminaires per B16 circuit breaker	9
Luminaire with limited surface temperature, sign "D" according to EN 60598-2-24	Non
Filament test according to IEC 60695-2-11	650 °C - 30 s
Mounting type	Surface mounted
Type of control gear	LED operating device voltage-controlled
With light sensor	Non
With movement sensor	Non
Emergency power supply integrated	Non

Information especially for EPREL

Contains a lightsource of energy efficiency class	D
Lighting technology	LED
Mains/Non mains connectable	MLS
Color tunable light source	Non
Flicker	1.0
Stroboscopic effect	0.4

Notes

Warm white floodlight for indoor and outdoor use, robust aluminum housing in a small-sized design, integrated LED driver, slightly frosted lens.

Please, refer to www.radium.de/recycling for notes on disposal of burned-out lamps as well as lamp breakage.

The "lifespan L70" described for LED lamps indicates the number of hours when the luminous flux has decreased to 70% of its initial value.

The optimal field 'info about service life' contains the frame conditions according to standards based on which the specific service life has been determined. So, for example, "12B50, 50Hz" means that the mean service life (B50) has been determined with a 12h switching cycle at mains (frequency 50Hz), "3B50, HF" is based on a 3h switching cycle at electronic control gear (high frequency).

Particularités



LED Floodlight Star IP65

10.000/830 black

Radium

Notices explicatives générales

The technical design data in accordance with DIN and IEC. The producer does not take any responsibility for damage to persons or property in case of unsuitable operation or handling of the product. Operating data and dimensions are valid within the usual tolerances. Related lamp types (different bases, mains voltages) may be available on request. Sale and delivery are effected in accordance with the Radium Terms of Delivery and Payment valid on the day of conclusion of contract. Packing units offer economical advantages to the purchase and logistic department. Please match your quantity volume accordingly. For orders of a minimum quantity (clefts) with a lamp model the amount lower than the volume of each packaging unit, we will invoice 10 % additional charge per lamp type. Technical changes and terms of delivery are reserved. Manipulation of any kind to packaging or product is not permissible as this will violate Radium brand rights. Furthermore, technical properties of the product can change to its disadvantage or even destruction. Therefore, Radium cannot be responsible for consequential damages.

® = Registered trademark

Subject to change without notice. Errors and omissions excepted.

All technical data without guarantee.