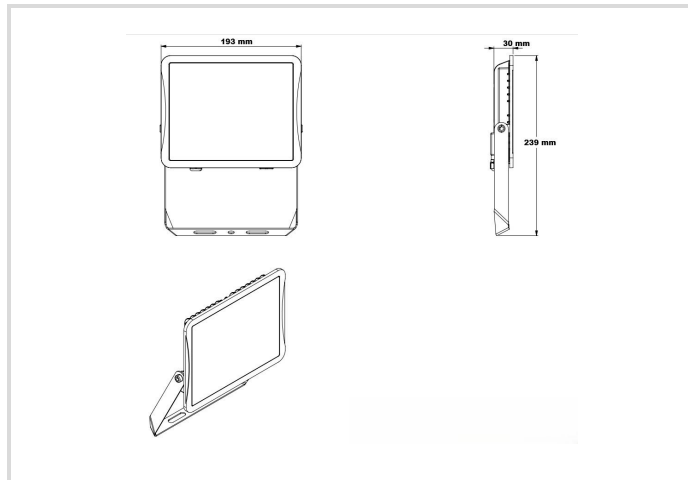


LED Floodlight Star IP65

5000/840 black

Radium

Product Datasheet Date: 30.05.2026



4000K

General Data

Code Radium	FLLA5088
Désignation	FL S 5000/840 BK IP65
EAN 10 (unité)	4003556015227
Unité de transport (pièces)	6
EAN 40 (carton)	4003556415225
Poids brut du carton en kg	5.113
Longueur box in m	0.3
Largeur du carton en m	0.208
Hauteur du carton en m	0.2
Product weight	740 g
Product status	● Actif

Electric Parameters

Max. system power	37.0 W
Nominal voltage	220-240 V
Voltage type	AC
Nominal current	187 mA
Nominal current (mA)	187 mA

Electric Parameters

Inrush current	20 A
Mains frequency	50/60 Hz Hz
Dimming with push-button	Non

Light Application Parameters

Luminous flux adjustable	Non
Luminous flux	5000 lm
Beam angle adjustable	Non
Beam angle	100 °
Unified Glare Ratio (UGR)	31
Efficacy / Luminous efficiency	135 lm/W
Colour of light adjustable	Non
CCT Switch	Non
Colour of light	White
Color temperature	4000 K
Color coordinate X	0.382
Color coordinate Y	0.398
Color rendering index	≥ 80
Color Stability	≤ 6 sdc _m
Light sharing	Symmetric
With light sensor	Non

Service Life

Lifetime L70B50	50000 h
Life L80B10	50000 h
No. switching cycles	≥ 100000
Guarantee	5

Specification

Length	193 mm
Height/depth	239 mm
Width	30 mm
Material	Aluminium/ Glass
Impact strength	IK06
Photobiological safety according to EN 62471	RG0
With light source	Oui

Notes on Operation

Degree of protection (IP)	IP65
Connection type	Other
Type of connection	Cable
Type of wiring	Ending
Max. number of luminaires per B10 circuit breaker	6
Max. number of luminaires per B16 circuit breaker	10
Filament test according to IEC 60695-2-11	650 °C - 30 s
Mounting type	Surface mounted
Type of control gear	LED operating device voltage-controlled
With light sensor	Non
With movement sensor	Non
Emergency power supply integrated	Non

Information especially for EPREL

Contains a lightsource of energy efficiency class	C
Lighting technology	LED
Mains/Non mains connectable	MLS
Color tunable light source	Non
Flicker	1.0
Stroboscopic effect	0.4
EPREL ID number	2655278

Notes

Neutral white floodlight for indoor and outdoor use, robust aluminum housing in a small-sized design, integrated LED driver, slightly frosted lens.

Please, refer to www.radium.de/recycling for notes on disposal of burned-out lamps as well as lamp breakage.

The "lifespan L70" described for LED lamps indicates the number of hours when the luminous flux has decreased to 70% of its initial value.

The optimal field 'info about service life' contains the frame conditions according to standards based on which the specific service life has been determined. So, for example, "12B50, 50Hz" means that the mean service life (B50) has been determined with a 12h switching cycle at mains (frequency 50Hz), "3B50, HF" is based on a 3h switching cycle at electronic control gear (high frequency).

Particularités



Notices explicatives générales

The technical design data in accordance with DIN and IEC. The producer does not take any responsibility for damage to persons or property in case of unsuitable operation or handling of the product. Operating data and dimensions are valid within the usual tolerances. Related lamp types (different bases, mains voltages) may be available on request. Sale and delivery are effected in accordance with the Radium Terms of Delivery and Payment valid on the day of conclusion of contract. Packing units offer economical advantages to the purchase and logistic department. Please match your quantity volume accordingly. For orders of a minimum quantity (clefts) with a lamp model the amount lower than the volume of each packaging unit, we will invoice 10 % additional charge per lamp type. Technical changes and terms of delivery are reserved. Manipulation of any kind to packaging or product is not permissible as this will violate Radium brand rights. Furthermore, technical properties of the product can change to its disadvantage or even destruction. Therefore, Radium cannot be responsible for consequential damages.

® = Registered trademark

LED Floodlight Star IP65

5000/840 black

Radium

Subject to change without notice. Errors and omissions excepted.

All technical data without guarantee.