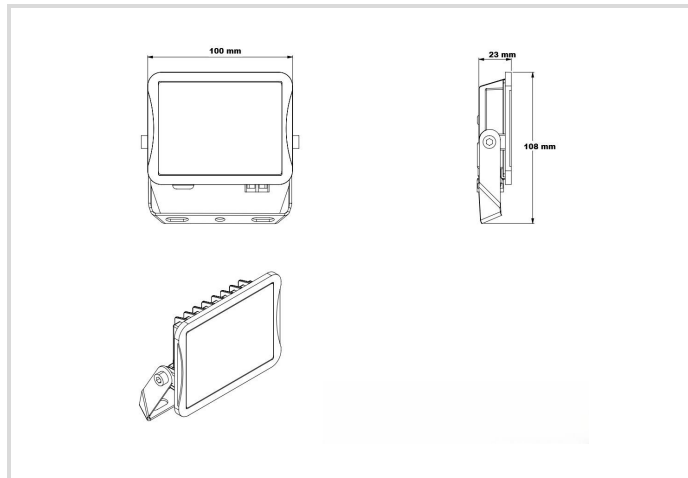


# LED Floodlight Star IP65

1000/840 black

# Radium

Product Datasheet Date: 31.05.2026



4000K



## General Data

|                             |                       |
|-----------------------------|-----------------------|
| Code Radium                 | FLLA5085              |
| Désignation                 | FL S 1000/840 BK IP65 |
| EAN 10 (unité)              | 4003556015197         |
| Unité de transport (pièces) | 6                     |
| EAN 40 (carton)             | 4003556415195         |
| Poids brut du carton en kg  | 2.332                 |
| Longueur box in m           | 0.36                  |
| Largeur du carton en m      | 0.145                 |
| Hauteur du carton en m      | 0.175                 |
| Product weight              | 320 g                 |
| Product status              | ● Actif               |

## Electric Parameters

|                      |           |
|----------------------|-----------|
| Max. system power    | 7.4 W     |
| Nominal voltage      | 220-240 V |
| Voltage type         | AC        |
| Nominal current      | 37 mA     |
| Nominal current (mA) | 37 mA     |

# LED Floodlight Star IP65

1000/840 black

# Radium

## Electric Parameters

|                          |             |
|--------------------------|-------------|
| Inrush current           | 18 A        |
| Mains frequency          | 50/60 Hz Hz |
| Dimming with push-button | Non         |

## Light Application Parameters

|                                |                      |
|--------------------------------|----------------------|
| Luminous flux adjustable       | Non                  |
| Luminous flux                  | 1000 lm              |
| Beam angle adjustable          | Non                  |
| Beam angle                     | 100 °                |
| Unified Glare Ratio (UGR)      | 31                   |
| Efficacy / Luminous efficiency | 135 lm/W             |
| Colour of light adjustable     | Non                  |
| CCT Switch                     | Non                  |
| Colour of light                | White                |
| Color temperature              | 4000 K               |
| Color coordinate X             | 0.382                |
| Color coordinate Y             | 0.398                |
| Color rendering index          | ≥ 80                 |
| Color Stability                | ≤ 6 sdc <sub>m</sub> |
| Light sharing                  | Symmetric            |
| With light sensor              | Non                  |

## Service Life

|                      |          |
|----------------------|----------|
| Lifetime L70B50      | 50000 h  |
| Life L80B10          | 50000 h  |
| No. switching cycles | ≥ 100000 |
| Guarantee            | 5        |

## Specification

|  |                  |
|--|------------------|
| Length                                       | 108 mm           |
| Height/depth                                 | 100 mm           |
| Width  | 23 mm            |
| Material                                     | Aluminium/ Glass |
| Impact strength                              | IK06             |
| Photobiological safety according to EN 62471 | RG0              |
| With light source                            | Oui              |

# LED Floodlight Star IP65

1000/840 black

# Radium

## Notes on Operation

|   |   |
|---|---|
| Degree of protection (IP)                         | IP65                                    |
| Connection type                                   | Other                                   |
| Type of connection                                | Cable                                   |
| Type of wiring                                    | Ending                                  |
| Max. number of luminaires per B10 circuit breaker | 14                                      |
| Max. number of luminaires per B16 circuit breaker | 23                                      |
| Filament test according to IEC 60695-2-11         | 650 °C - 30 s                           |
| Mounting type                                     | Surface mounted                         |
| Type of control gear                              | LED operating device voltage-controlled |
| With light sensor                                 | Non                                     |
| With movement sensor                              | Non                                     |
| Emergency power supply integrated                 | Non                                     |

## Information especially for EPREL

|   |         |
|---|---------|
| Contains a lightsource of energy efficiency class | C       |
| Lighting technology                               | LED     |
| Mains/Non mains connectable                       | MLS     |
| Color tunable light source                        | Non     |
| Flicker   | 1.0     |
| Stroboscopic effect                               | 0.4     |
| EPREL ID number                                   | 2655258 |

## Notes

Neutral white floodlight for indoor and outdoor use, robust aluminum housing in a small-sized design, integrated LED driver, slightly frosted lens.

Please, refer to [www.radium.de/recycling](http://www.radium.de/recycling) for notes on disposal of burned-out lamps as well as lamp breakage.

The "lifespan L70" described for LED lamps indicates the number of hours when the luminous flux has decreased to 70% of its initial value.

The optimal field 'info about service life' contains the frame conditions according to standards based on which the specific service life has been determined. So, for example, "12B50, 50Hz" means that the mean service life (B50) has been determined with a 12h switching cycle at mains (frequency 50Hz), "3B50, HF" is based on a 3h switching cycle at electronic control gear (high frequency).

## Particularités



## Notices explicatives générales

The technical design data in accordance with DIN and IEC. The producer does not take any responsibility for damage to persons or property in case of unsuitable operation or handling of the product. Operating data and dimensions are valid within the usual tolerances. Related lamp types (different bases, mains voltages) may be available on request. Sale and delivery are effected in accordance with the Radium Terms of Delivery and Payment valid on the day of conclusion of contract. Packing units offer economical advantages to the purchase and logistic department. Please match your quantity volume accordingly. For orders of a minimum quantity (clefts) with a lamp model the amount lower than the volume of each packaging unit, we will invoice 10 % additional charge per lamp type. Technical changes and terms of delivery are reserved. Manipulation of any kind to packaging or product is not permissible as this will violate Radium brand rights. Furthermore, technical properties of the product can change to its disadvantage or even destruction. Therefore, Radium cannot be responsible for consequential damages.

® = Registered trademark

# LED Floodlight Star IP65

1000/840 black

# Radium

Subject to change without notice. Errors and omissions excepted.

All technical data without guarantee.