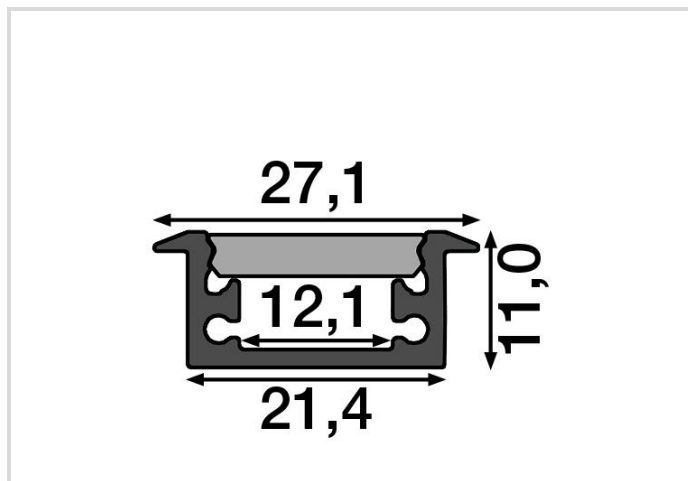


# Aluminiumprofile grey and Cover frosted

SET SMALL W FLOOR F 27/11 GREY 1M

# Radium

Product Datasheet Date: 02.04.2026



## General Data

|                             |                                   |
|-----------------------------|-----------------------------------|
| Code Radium                 | FXZA4568                          |
| Désignation                 | SET SMALL W FLOOR F 27/11 GREY 1M |
| EAN 10 (unité)              | 4003556014022                     |
| Unité de transport (pièces) | 12                                |
| EAN 40 (carton)             | 4003556414020                     |
| Poids brut du carton en kg  | 4.509                             |
| Longueur box in m           | 1.2                               |
| Largeur du carton en m      | 0.057                             |
| Hauteur du carton en m      | 0.059                             |
| Product weight              | 369 g                             |
| Product status              | ● Actif                           |

## Specification

|                              |              |
|------------------------------|--------------|
| Type of accessory/spare part | Profile      |
| Length                       | 1 m          |
| Width                        | 27.1 mm      |
| Product shape                | Wing profile |

## Miscellaneous

|                  |                    |
|------------------|--------------------|
| Similar products | FXZA4569, FXZA4566 |
|------------------|--------------------|

# Aluminiumprofile grey and Cover frosted

## SET SMALL W FLOOR F 27/11 GREY 1M

**Radium**

### Notes

1m set of frosted cover &#43; anodized aluminum wing profile, floor installation, walkable, optimal cooling &#43; protection of LED strip, v. mounting options

Please, refer to [www.radium.de/recycling](http://www.radium.de/recycling) for notes on disposal of burned-out lamps as well as lamp breakage.

The "lifespan L70" described for LED lamps indicates the number of hours when the luminous flux has decreased to 70% of its initial value.

The optional field 'info about service life' contains the frame conditions according to standards based on which the specific service life has been determined. So, for example, "12B50, 50Hz" means that the mean service life (B50) has been determined with a 12h switching cycle at mains (frequency 50Hz), "3B50, HF" is based on a 3h switching cycle at electronic control gear (high frequency).

### Notices explicatives g n rales

The technical design data in accordance with DIN and IEC. The producer does not take any responsibility for damage to persons or property in case of unsuitable operation or handling of the product. Operating data and dimensions are valid within the usual tolerances. Related lamp types (different bases, mains voltages) may be available on request. Sale and delivery are effected in accordance with the Radium Terms of Delivery and Payment valid on the day of conclusion of contract. Packing units offer economical advantages to the purchase and logistic department. Please match your quantity volume accordingly. For orders of a minimum quantity (clefs) with a lamp model the amount lower than the volume of each packaging unit, we will invoice 10 % additional charge per lamp type. Technical changes and terms of delivery are reserved. Manipulation of any kind to packaging or product is not permissible as this will violate Radium brand rights. Furthermore, technical properties of the product can change to its disadvantage or even destruction. Therefore, Radium cannot be responsible for consequential damages.

® = Registered trademark

Subject to change without notice. Errors and omissions excepted.

All technical data without guarantee.