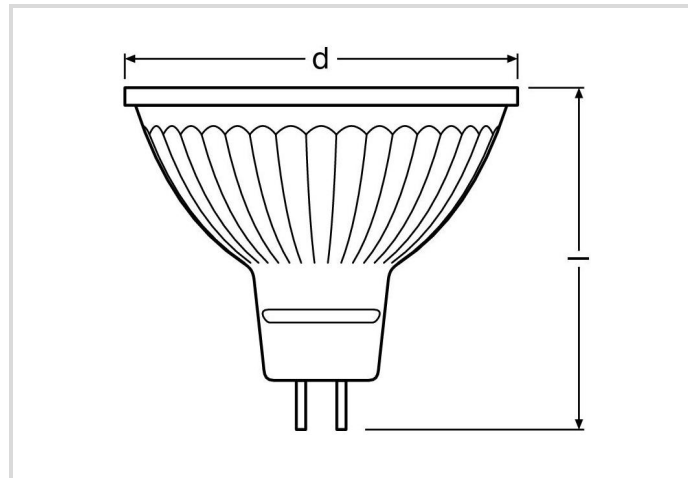


LED Essence low voltage retrofit

RL-MR16 35 830/36°/GU5.3

Radium

Product Datasheet Date: 30.05.2026



F



3,8



3000K



20 000h



General Data

Code Radium	44020746
Désignation	RL-MR16 35 830/36°/GU5.3
EAN 10 (unité)	4008597207464
Unité de transport (pièces)	10
EAN 40 (carton)	4008597507465
Poids brut du carton en kg	0.56
Longueur box in m	0.255
Largeur du carton en m	0.107
Hauteur du carton en m	0.072
Product weight	36 g
Product status	● Inactif

Electric Parameters

Wattage	3.8 W
Nominal power	3.8 W
Weighted energy consumption in 1000 hours	4 kWh
Lamp power	3.8 W
Nominal voltage	11.5-12 V

LED Essence low voltage retrofit

RL-MR16 35 830/36°/GU5.3

Radium

Electric Parameters

Voltage type	AC
Nominal current	460 mA
Nominal current (mA)	460 mA
Inrush current	11,5 A
max. no. of lamps at 10A-B10 automatic fuse	28
max. no. of lamps at 16A-B16 automatic fuse	36
dimnable	Non

Light Application Parameters

Luminous flux	345 lm
Rated luminous flux according to IEC 62612	345 lm
Luminous flux	345 lm
Luminous flux in 120°-sector	20000 lm
Beam angle	36 °
Luminous intensity	700 cd
Efficacy / Luminous efficiency	91 lm/W
Total mains efficacy	99 lm/W
Color temperature	3000 K
Color coordinate X	0,434
Color coordinate Y	0,403
Color rendering index	≥ 80
Color rendering index nominal	80
Color Stability	≤ 6 sdcn

Service Life

Average life	20000 h
Mean service life	15000 h
No. switching cycles	[100000]
Guarantee	4 years

Specification

Energylabel (G -> A)	F
Diameter	50 mm
Length	45 mm
Length	44 mm
Burning position	any

LED Essence low voltage retrofit

RL-MR16 35 830/36°/GU5.3

Radium

Specification

Mercury content	0.0 mg
Material	Glass
Photobiological safety according to EN 62471	RG0
Lamp shape	Reflector
Base	GU5.3
Colour	White

Notes on Operation

Degree of protection (IP)	IP20
Burning position	any
Mode of operation	LV transformer
Ambient temperatures	-20 ... +40 °C
With movement sensor	Non

Information especially for EPREL

Lighting technology	LED
Directional or non-directional light	DLS
Color tunable light source	Non
Type of color temperature	SINGLE_VALUE
Color stability MacAdams EPREL	6
Displacement factor EPREL	0.70
Life factor EPREL	0.9
Lumen maintenance EPREL	0.93
Flicker	1.0
Stroboscopic effect	0.4
EPREL ID number	1946135

Miscellaneous

Similar products	44122562, 43819758, 43720054, 43920750, 43820743
------------------	--

Notes

MR16-LED, exchange with 12V halogen lamps, warm white light, glass bulb, non-dim, base GU5.3. LED light does not contain UV or IR radiation.

Please, refer to www.radium.de/recycling for notes on disposal of burned-out lamps as well as lamp breakage.

The "lifespan L70" described for LED lamps indicates the number of hours when the luminous flux has decreased to 70% of its initial value.

The optimal field 'info about service life' contains the frame conditions according to standards based on which the specific service life has been determined. So, for example, "12B50, 50Hz" means that the mean service life (B50) has been determined with a 12h switching cycle at mains (frequency 50Hz), "3B50, HF" is based on a 3h switching cycle at electronic control gear (high frequency).

LED Essence low voltage retrofit

RL-MR16 35 830/36°/GU5.3

Radium

Culot



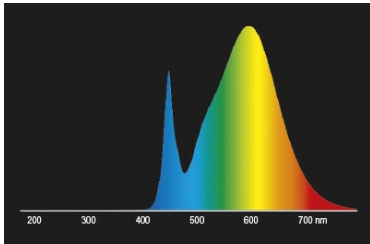
GU5.3
IEC/EN 60061-1
sheet 7004-109-2

Courbes spectrales

As daylight is a mixture of direct sunlight and light from the sky, the spectral distribution changes all the time due to the time of the day and the weather. The standard illuminant D65 corresponds to daylight with colour temperature of about 6500K.

The colour of coloured LEDs depends on the chemical elements within the light generating chip. The coloured light is generated directly and does not need filtering.

White LEDs are either RGB (red + green + blue chip in one LED = light colour white) or blue LED-chips with yellow/orange phosphor in the resin. Visible region from 380 to 780 nm; height of graph corresponding with relative spectral emission (400mW/klm)per 10nm.

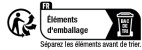


LED Retrofit retrofit lamps 3000K



daylight(D 65)

Particularités



Notices explicatives générales

For LED replacement of halogen and incandescent lamps, we recommend direct replacement (1: 1) at the respective burning position. For new systems, the number of lamps in the circuit operated at control gear such as transformers or dimmers can be obtained from corresponding compatibility lists (if available). If there is no specification for the type of device or lamp required, for safety reasons, the replacement power shall be assumed as that of the original halogen type (eg "RL-MR16 35" -> 35W, independent of the real power consumption).

The technical design data in accordance with DIN and IEC. The producer does not take any responsibility for damage to persons or property in case of unsuitable operation or handling of the product. Operating data and dimensions are valid within the usual tolerances. Related lamp types (different bases, mains voltages) may be available on request. Sale and delivery are effected in accordance with the Radium Terms of Delivery and Payment valid on the day of conclusion of contract. Packing units offer economical advantages to the purchase and logistic department. Please match your quantity volume accordingly. For orders of a minimum quantity (clefts) with a lamp model the amount lower than the volume of each packaging unit, we will invoice 10 % additional charge per lamp type. Technical changes and terms of delivery are reserved. Manipulation of any kind to packaging or product is not permissible as this will violate Radium brand rights. Furthermore, technical properties of the product can change to its disadvantage or even destruction. Therefore, Radium cannot be responsible for consequential damages.

® = Registered trademark

Subject to change without notice. Errors and omissions excepted.

Consignes de sécurité

To ensure full light efficiency and product life, the permissible temperature ranges must be observed and dry environment ensured. When operated with existing control gear, their compatibility with the lamp must be checked.

All technical data without guarantee.