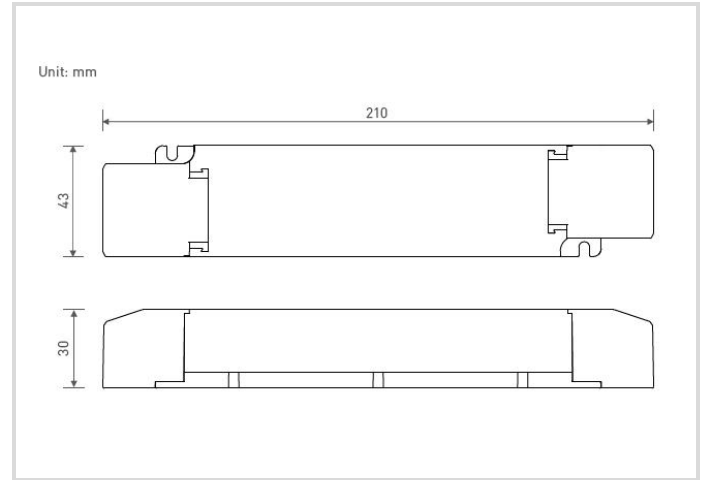


LED Driver with Phasecut dimmer

Driver Phasecut 36W/24V IP20 Radium

Radium

Product Datasheet Date: 31.05.2026



General Data

Code Radium	OTDA4077
Désignation	DRIVER PHASECUT 36W/24V IP20 RADIUM
EAN 10 (unité)	4003556011045
Unité de transport (pièces)	40
EAN 40 (carton)	4003556411043
Poids brut du carton en kg	11.6
Longueur box in m	0.44
Largeur du carton en m	0.32
Hauteur du carton en m	0.16
Product weight	170 g
Product status	● Actif

Electric Parameters

Rated value output power max.	36.0 W
Output power	0-36.0 W
Power factor	≥0,95
Input voltage AC (range)	220-240 V
Output Voltage	24 V
Output voltage	23.5-24.5 V
Surge voltage resistance (L - N)	2 kV
Number of Channels	1
Inrush current	40 A
Input current max.	0.2 A

Electric Parameters

Output current	0-1500 mA
Mains frequency	50 / 60 Hz
Suitable for DC-voltage (primary side)	Non
dimnable	Oui
Dimming with push-button	Oui
Dimming interface	Phase-Cut, for Push-DIM* operation, please note*

Light Application Parameters

Dimming range	0 - 100 %
---------------	-----------

Service Life

Service life	50000 h
Tc Temperature max.	90 °C

Specification

Mean efficiency	0,85 %
Length	210 mm
Height max.	30 mm
Width	43 mm
Material	Plastic
Model	Dynamic

Notes on Operation

Degree of protection (IP)	IP20
Type of connection	spring clamp
Range of storage temperature	-40...+80 °C
Ambient temperatures	-20...+50 °C
Tc Temperature max.	90 °C
max. relative air humidity	95 %

Miscellaneous

Similar products	OTDA3026, OTDA4078
------------------	--------------------

Notes

1 channel constant voltage supply 24V

Please, refer to www.radium.de/recycling for notes on disposal of burned-out lamps as well as lamp breakage.

LED Driver with Phasecut dimmer

Driver Phasecut 36W/24V IP20 Radium

Radium

The "lifespan L70" described for LED lamps indicates the number of hours when the luminous flux has decreased to 70% of its initial value. The optimal field 'info about service life' contains the frame conditions according to standards based on which the specific service life has been determined. So, for example, "12B50, 50Hz" means that the mean service life (B50) has been determined with a 12h switching cycle at mains (frequency 50Hz), "3B50, HF" is based on a 3h switching cycle at electronic control gear (high frequency).

LED Driver with Phasecut dimmer

Driver Phasecut 36W/24V IP20 Radium

Radium

Particularités



Notices explicatives générales

* If the light sources in Push-Dim operation can no longer be switched at the same time or dimmed evenly when operating the lighting system with SEVERAL drivers on ONE switch button, the system works asynchronously and can be synchronized again using a RESET routine:

1. Step: LONG press (> 0.5 s) => all lights switch ON
2. Step: SHORT press (< 0.5 s) => all lights switch OFF
3. Step: LONG press (> 0.5 s) => all lights switch ON and dim
- [4. Step: Double click => save dimming setting (optional)]

The drivers then behave synchronously again.

The technical design data in accordance with DIN and IEC. The producer does not take any responsibility for damage to persons or property in case of unsuitable operation or handling of the product. Operating data and dimensions are valid within the usual tolerances. Related lamp types (different bases, mains voltages) may be available on request. Sale and delivery are effected in accordance with the Radium Terms of Delivery and Payment valid on the day of conclusion of contract. Packing units offer economical advantages to the purchase and logistic department. Please match your quantity volume accordingly. For orders of a minimum quantity (clefs) with a lamp model the amount lower than the volume of each packaging unit, we will invoice 10 % additional charge per lamp type. Technical changes and terms of delivery are reserved. Manipulation of any kind to packaging or product is not permissible as this will violate Radium brand rights. Furthermore, technical properties of the product can change to its disadvantage or even destruction. Therefore, Radium cannot be responsible for consequential damages.

® = Registered trademark

Subject to change without notice. Errors and omissions excepted.

All technical data without guarantee.