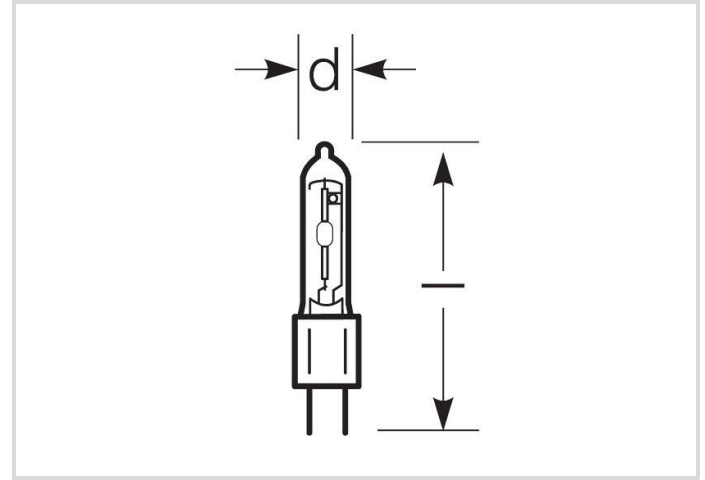


# Metal halide lamp with ceramic burner

RCC-TC 35W/WDL/230/G8.5

# Radium

Product Datasheet Date: 30.05.2026



A+



F



4100



3000K



18 000h

## General Data

Code Radium	32419678
Désignation	RCC-TC 35W/WDL/230/G8.5
EAN 10 (unité)	4008597196782
Unité de transport (pièces)	12
EAN 40 (carton)	4008597496783
Poids brut du carton en kg	0.215
Longueur box in m	0.12
Largeur du carton en m	0.08
Hauteur du carton en m	0.14
Product weight	9 g
Product status	<span style="color: red;">●</span> Inactif

## Electric Parameters

Wattage	39.0 W
Weighted energy consumption in 1000 hours	43 kWh
Lamp voltage	90 V
Mains voltage	230 V
Ignition voltage	3.6 up to 5.0

# Metal halide lamp with ceramic burner

RCC-TC 35W/WDL/230/G8.5

# Radium

## Electric Parameters

Lamp's nominal current	0,43 A
Compensation capacitor for 50Hz operation	6 $\mu$ F

## Light Application Parameters

Luminous flux	4100 lm
Rated lamp luminous flux	4100 lm
Efficacy / Luminous efficiency	95 lm/W
Total mains efficacy	95 lm/W
Light colour	warm white de luxe
Code of light color	930
Colour temperature	3000 K
Colour rendering index CRI	90-100
Lumen maintenance at 2000h	0.93
Lumen maintenance at 4000h	0.89
Lumen maintenance at 6000h	0.85
Lumen maintenance at 8000h	[0.81]
Lumen maintenance at 12000h	0.73
Lumen maintenance at 16000h	0.65
Lumen maintenance at 20000h	0.61

## Service Life

Average life	18000 h
Lamp survival factor at 4000h	1.00
Lamp survival factor at 6000h	1.00
Lamp survival factor at 8000h	[0.98]
Lamp survival factor at 12000h	0.9
Lamp survival factor at 16000h	0.67
Lamp survival factor at 20000h	0.67

## Specification

Energylabel notice	old label, no EPREL registration, no EU data sheet
Energylabel (G -> A)	F
Energylabel (E -> A++)	A+
Diameter	15 mm
Length	85 mm
Total length max.	85 mm

# Metal halide lamp with ceramic burner

RCC-TC 35W/WDL/230/G8.5

**Radium**

## Specification

Burning position	h180
Mercury content	4.7 mg
Lamp shape	Tube, single-ended
Model	Clear
Base	G8.5
Colour	White

## Notes on Operation

Burning position	h180
------------------	------

## Information especially for EPREL

Energylabel notice	old label, no EPREL registration, no EU data sheet
EPREL ID number	868954

## Miscellaneous

Similar products	32419679
------------------	----------

## Notes

Mini MH lamp with ceramic burner, tubular bulb clear, light colour WDL, base G8.5. Operation in enclosed luminaire, with ballast and ignitor.

Please, refer to [www.radium.de/recycling](http://www.radium.de/recycling) for notes on disposal of burned-out lamps as well as lamp breakage.

The "lifespan L70" described for LED lamps indicates the number of hours when the luminous flux has decreased to 70% of its initial value.

The optimal field 'info about service life' contains the frame conditions according to standards based on which the specific service life has been determined. So, for example, "12B50, 50Hz" means that the mean service life (B50) has been determined with a 12h switching cycle at mains (frequency 50Hz), "3B50, HF" is based on a 3h switching cycle at electronic control gear (high frequency).

### Culot



G8.5  
IEC/EN 60061-1  
sheet 7004-122-1

### Courbes spectrales

Natural daylight is a mixture of direct sunlight and the light of the sky. Therefore, its spectral composition changes permanently due to the changing time of day. The standardised light classification D65 corresponds to a daylight with a colour temperature of approximately 6500 K.

Every discharge lamp type has got an individual spectral power distribution according to its chemical filling. From this result important properties light colour or colour rendering.

Should the spectral lines be very close together the lamp presumably has got a very good colour rendering index, so, Ra might be near 100. Does the spectrum rather look like single lines or frayed out the colour rendering of the lamp will probably be not as good.

If number and height of the spectral lines within the blue range (around 400 nm) prevails it might be a lamp with a rather cold light colour like for example daylight. On the other hand, should the red (around 700 nm) or the red and yellow (around 600 nm) range be dominant one can assume that the lamp will be a rather warm light colour like WDL.

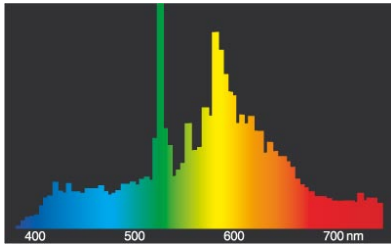
After the lamp start a metal halide lamp needs about 2-4 minutes time to reach its full luminous flux, all colours in the spectrum are within the discharge arc then.

Visible region from 380 to 780 nm; height of graph corresponding with relative spectral emission (400mW/klm) per 10nm.

# Metal halide lamp with ceramic burner

RCC-TC 35W/WDL/230/G8.5

**Radium**



RCC.../WDL



daylight(D 65)

## Particularités



## Notices explicatives générales

The technical design data in accordance with DIN and IEC. The producer does not take any responsibility for damage to persons or property in case of unsuitable operation or handling of the product. Operating data and dimensions are valid within the usual tolerances. Related lamp types (different bases, mains voltages) may be available on request. Sale and delivery are effected in accordance with the Radium Terms of Delivery and Payment valid on the day of conclusion of contract. Packing units offer economical advantages to the purchase and logistic department. Please match your quantity volume accordingly. For orders of a minimum quantity (clefts) with a lamp model the amount lower than the volume of each packaging unit, we will invoice 10 % additional charge per lamp type. Technical changes and terms of delivery are reserved. Manipulation of any kind to packaging or product is not permissible as this will violate Radium brand rights. Furthermore, technical properties of the product can change to its disadvantage or even destruction. Therefore, Radium cannot be responsible for consequential damages.

® = Registered trademark

Subject to change without notice. Errors and omissions excepted.

All technical data without guarantee.