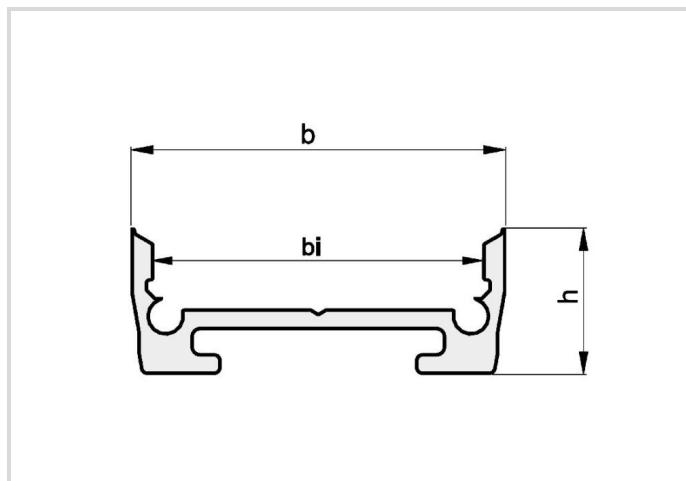


# Surface-mount aluminium profile for 2 LED-strips, U-Profile flat MEDIUM

Length 1m

# Radium

Product Datasheet Date: 02.04.2026



## General Data

Code Radium	TRPA2551
Désignation	PROFILE MEDIUM U FLAT 27/10.2/B2C2 1M
EAN 10 (unité)	4003556008120
Unité de transport (pièces)	6
EAN 40 (carton)	4003556408128
Poids brut du carton en kg	1.282
Longueur box in m	1.11
Largeur du carton en m	0.07
Hauteur du carton en m	0.053
Product weight	187 g
Product status	● Actif

## Specification

Type of accessory/spare part	Profile
Length max.	1010 mm
Length	1 m
Height	10,2 mm
Width	27 mm
Internal width	22.2 mm
Material	Aluminium
no. of LED stripes in profile	2
Product shape	U profile flat

# Surface-mount aluminium profile for 2 LED-strips, U-Profile flat MEDIUM

**Radium**

Length 1m

## Notes on Operation

Mounting type	Surface mounted
Fitting Endcap	ZTPA2615, ZTPA2618, ZTPA4961, ZTPA3193, ZTPA3197, ZTPA4964
Fitting Cover	ZTPA2591, ZTPA2561
Fitting mounting clips or suspension	ZTPA2622, ZTPA2623, ZTPA3020, ZTPA3022
Suitable Accessories	LMCA3030, LMCA3031, LMCA3032, LMCA3033

## Miscellaneous

Similar products	TRPA2541, TRPA2561
------------------	--------------------

## Notes

High-quality, anodized aluminum profile, optimal cooling despite the flat design. Versatile mounting options and space for up to two LED strips.

Please, refer to [www.radium.de/recycling](http://www.radium.de/recycling) for notes on disposal of burned-out lamps as well as lamp breakage.

The "lifespan L70" described for LED lamps indicates the number of hours when the luminous flux has decreased to 70% of its initial value.

The optimal field 'info about service life' contains the frame conditions according to standards based on which the specific service life has been determined. So, for example, "12B50, 50Hz" means that the mean service life (B50) has been determined with a 12h switching cycle at mains (frequency 50Hz), "3B50, HF" is based on a 3h switching cycle at electronic control gear (high frequency).

### Notices explicatives générales

The technical design data in accordance with DIN and IEC. The producer does not take any responsibility for damage to persons or property in case of unsuitable operation or handling of the product. Operating data and dimensions are valid within the usual tolerances. Related lamp types (different bases, mains voltages) may be available on request. Sale and delivery are effected in accordance with the Radium Terms of Delivery and Payment valid on the day of conclusion of contract. Packing units offer economical advantages to the purchase and logistic department. Please match your quantity volume accordingly. For orders of a minimum quantity (clefs) with a lamp model the amount lower than the volume of each packaging unit, we will invoice 10 % additional charge per lamp type. Technical changes and terms of delivery are reserved. Manipulation of any kind to packaging or product is not permissible as this will violate Radium brand rights. Furthermore, technical properties of the product can change to its disadvantage or even destruction. Therefore, Radium cannot be responsible for consequential damages.

® = Registered trademark

Subject to change without notice. Errors and omissions excepted.

All technical data without guarantee.