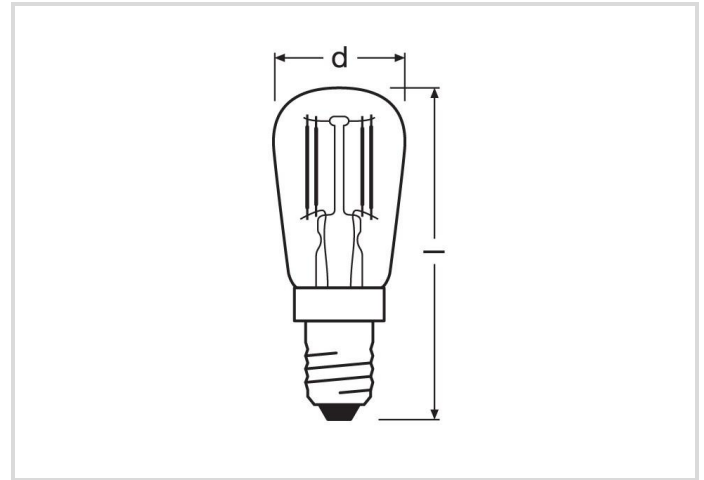


LED tubular lamp

RL-T26 40 4W/230/827/C/E14

Radium

Product Datasheet Date: 30.05.2026



A++



E



4



470



2700K



15 000h



4 YEARS
GUARANTEE

General Data

Code Radium	43618614
Désignation	RL-T26 40 827/C/E14
EAN 10 (unité)	4008597186141
Unité de transport (pièces)	20
EAN 40 (carton)	4008597486142
Poids brut du carton en kg	0.335
Longueur box in m	1.49
Largeur du carton en m	1.18
Hauteur du carton en m	0.93
Product weight	10 g
Product status	● Inactif

Electric Parameters

Wattage	4.0 W
Nominal power	4.0 W
Weighted energy consumption in 1000 hours	4 kWh
Lamp power	4.0-4.0 W
Power factor	> 0.40

LED tubular lamp

RL-T26 40 4W/230/827/C/E14

Radium

Electric Parameters

Nominal voltage	220-240 V
Mains Voltage	220 - 240 V
Voltage type	AC
Nominal current	35-35 mA
Nominal current (mA)	35 mA
max. no. of lamps at 10A-B10 automatic fuse	60
max. no. of lamps at 16A-B16 automatic fuse	95
dimnable	Non

Light Application Parameters

Luminous flux	470 lm
Rated lamp luminous flux	470 lm
Luminous flux in 90°-sector	470 lm lm
Luminous flux in 120°-sector	470 lm lm
Beam angle	320 °
Efficacy / Luminous efficiency	117 lm/W
Total mains efficacy	117 lm/W
Color temperature	2700 K
Colour rendering index CRI	80-89
Color rendering index nominal	80-89

Service Life

Average life	15000 h
Mean service life	15000 h
No. switching cycles	[100000]
Lamp survival factor at 6000h	≥ 0.90
Early failure rate at 1000h	≤ 5.0 %
Guarantee	4 years

Specification

Energylabel notice	old label, no EPREL registration, no EU data sheet
Energylabel (G -> A)	E
Energylabel (E -> A++)	A++
Diameter	25 mm
Length max.	80 mm mm
Length	80 mm

LED tubular lamp

RL-T26 40 4W/230/827/C/E14

Radium

Specification

Mercury content	0.0 mg
Lamp shape	Tube, single-ended
Base	E14
Colour	White

Notes on Operation

Degree of protection (IP)	IP20
Ambient temperatures	-20...+40 °C
With movement sensor	Non

Information especially for EPREL

Energylabel notice	old label, no EPREL registration, no EU data sheet
Lighting technology	LED
Life factor EPREL	0.9
Lumen maintenance EPREL	0.93
EPREL ID number	875529

Notes

Tubular LED lamp for exchange with mini incandescent lamps, base E14. LED light does not contain UV or IR radiation.

Please, refer to www.radium.de/recycling for notes on disposal of burned-out lamps as well as lamp breakage.

The "lifespan L70" described for LED lamps indicates the number of hours when the luminous flux has decreased to 70% of its initial value.

The optimal field 'info about service life' contains the frame conditions according to standards based on which the specific service life has been determined. So, for example, "12B50, 50Hz" means that the mean service life (B50) has been determined with a 12h switching cycle at mains (frequency 50Hz), "3B50, HF" is based on a 3h switching cycle at electronic control gear (high frequency).

Culot



E14
IEC/EN 60061-1
sheet 7004-23-6

Courbes spectrales

As daylight is a mixture of direct sunlight and light from the sky, the spectral distribution changes all the time due to the time of the day and the weather. The standard illuminant D65 corresponds to daylight with colour temperature of about 6500K.

The colour of coloured LEDs depends on the chemical elements within the light generating chip. The coloured light is generated directly and does not need filtering.

White LEDs are either RGB (red + green + blue chip in one LED = light colour white) or blue LED-chips with yellow/orange phosphor in the resin. Visible region from 380 to 780 nm; height of graph corresponding with relative spectral emission (400mW/klm)per 10nm.

LED tubular lamp

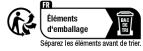
RL-T26 40 4W/230/827/C/E14

Radium



daylight(D 65)

Particularités



Notices explicatives générales

For LED replacement of halogen and incandescent lamps, we recommend direct replacement (1: 1) at the respective burning position. For new systems, the number of lamps in the circuit operated at control gear such as transformers or dimmers can be obtained from corresponding compatibility lists (if available). If there is no specification for the type of device or lamp required, for safety reasons, the replacement power shall be assumed as that of the original halogen type (eg "RL-MR16 35" -> 35W, independent of the real power consumption). When used outdoors or in damp rooms, the lamps must be installed in IP65 luminaires.

The technical design data in accordance with DIN and IEC. The producer does not take any responsibility for damage to persons or property in case of unsuitable operation or handling of the product. Operating data and dimensions are valid within the usual tolerances. Related lamp types (different bases, mains voltages) may be available on request. Sale and delivery are effected in accordance with the Radium Terms of Delivery and Payment valid on the day of conclusion of contract. Packing units offer economical advantages to the purchase and logistic department. Please match your quantity volume accordingly. For orders of a minimum quantity (clefts) with a lamp model the amount lower than the volume of each packaging unit, we will invoice 10 % additional charge per lamp type. Technical changes and terms of delivery are reserved. Manipulation of any kind to packaging or product is not permissible as this will violate Radium brand rights. Furthermore, technical properties of the product can change to its disadvantage or even destruction. Therefore, Radium cannot be responsible for consequential damages.

® = Registered trademark

Subject to change without notice. Errors and omissions excepted.

Consignes de sécurité

To ensure full light efficiency and product life, the permissible temperature ranges must be observed and dry environment ensured. When operated with existing control gear, their compatibility with the lamp must be checked.

All technical data without guarantee.