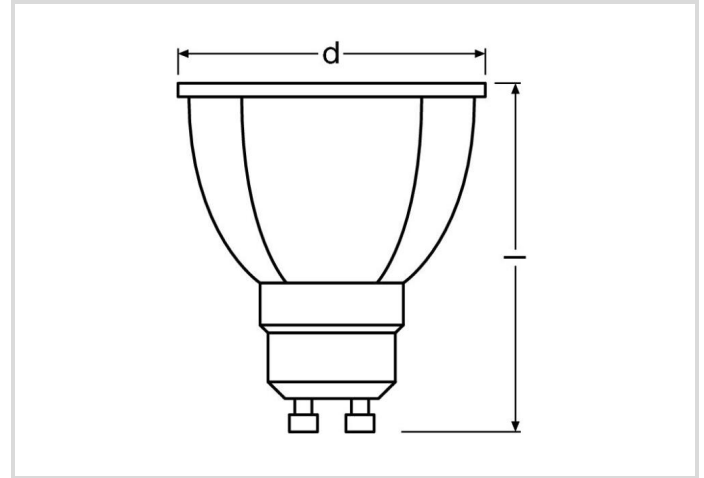


LED PAR16

RL PAR16 50 4,8W/230/WFL/865/GU10

Radium

Product Datasheet Date: 02.04.2026



A+



390



6500K



15 000h



General Data

| | |
|-----------------------------|--|
| Code Radium | 42818220 |
| Désignation | RL PAR16 50 4,8W/230/WFL/865/GU10 |
| EAN 10 (unité) | 4008597182204 |
| Unité de transport (pièces) | 10 |
| EAN 40 (carton) | 4008597482205 |
| Poids brut du carton en kg | 0.62 |
| Longueur box in m | 0.27 |
| Largeur du carton en m | 0.11 |
| Hauteur du carton en m | 0.08 |
| Product weight | 50 g |
| Product status | ● Inactif |

Electric Parameters

| | |
|-----------------|-------------|
| Wattage | 4.8 W |
| Power factor | > 0,5 |
| Nominal voltage | 220-240 V |
| Mains Voltage | 220 - 240 V |
| Voltage type | AC |

LED PAR16

RL PAR16 50 4,8W/230/WFL/865/GU10

Radium

Electric Parameters

| | |
|----------------------|-------|
| Nominal current (mA) | 45 mA |
|----------------------|-------|

Light Application Parameters

| | |
|-----------------------------|----------------------|
| Rated lamp luminous flux | 390 lm |
| Luminous flux in 90°-sector | 390 lm |
| Luminous intensity | 900 cd |
| Beam angle | 36 ° |
| Efficacy | 81.25 lm/W |
| Color temperature | 6500 K |
| Color rendering index | ≥ 80 |
| Color Stability | ≤ 6 sdc _m |

Service Life

| | |
|-------------------------------|---------|
| Average life | 15000 h |
| Mean service life | 15000 h |
| No. switching cycles | 100000 |
| Lamp survival factor at 6000h | ≥ 0.90 |
| Early failure rate at 1000h | ≤ 5.0 % |
| Guarantee | 4 years |

Specification

| | |
|--|--|
| Energylabel notice | old label, no EPREL registration, no EU data sheet |
| Energylabel (E -> A++) | A+ |
| Diameter | 50 mm |
| Length | 54 mm |
| Length | 54 mm |
| Burning position | any |
| Mercury content | 0.0 mg |
| Photobiological safety according to EN 62471 | RG1 |
| Lamp shape | Reflector |
| Base | GU10 |
| Colour | White |

Notes on Operation

| | |
|---------------------------|-------|
| Degree of protection (IP) | IP20 |
| Burning position | any |
| Mode of operation | 230 V |

LED PAR16

RL PAR16 50 4,8W/230/WFL/865/GU10

Radium

Notes on Operation

| | |
|----------------------|--------------|
| Ambient temperatures | -20...+40 °C |
| With movement sensor | Non |

Information especially for EPREL

| | |
|--------------------------------------|--|
| Energylabel notice | old label, no EPREL registration, no EU data sheet |
| Lighting technology | LED |
| Mains/Non mains connectable | MLS |
| Directional or non-directional light | DLS |
| Color tunable light source | Non |
| Type of color temperature | SINGLE_VALUE |
| Flicker | 1.0 |
| Stroboscopic effect | 0.4 |

Notes

PAR16-LED for exchange with halogen lamps, lightcolour daylight, plastic body, non-dim, base GU10. LED light does not contain UV or IR radiation.

Please, refer to www.radium.de/recycling for notes on disposal of burned-out lamps as well as lamp breakage.

The "lifespan L70" described for LED lamps indicates the number of hours when the luminous flux has decreased to 70% of its initial value.

The optimal field 'info about service life' contains the frame conditions according to standards based on which the specific service life has been determined. So, for example, "12B50, 50Hz" means that the mean service life (B50) has been determined with a 12h switching cycle at mains (frequency 50Hz), "3B50, HF" is based on a 3h switching cycle at electronic control gear (high frequency).

Culot



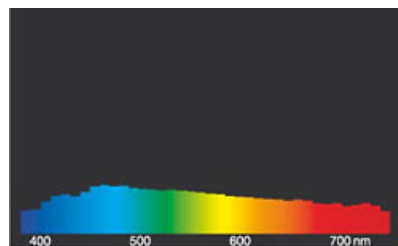
GU10
IEC/EN 60061-1
sheet 7004-121-1

Courbes spectrales

As daylight is a mixture of direct sunlight and light from the sky, the spectral distribution changes all the time due to the time of the day and the weather. The standard illuminant D65 corresponds to daylight with colour temperature of about 6500K.

The colour of coloured LEDs depends on the chemical elements within the light generating chip. The coloured light is generated directly and does not need filtering.

White LEDs are either RGB (red + green + blue chip in one LED = light colour white) or blue LED-chips with yellow/orange phosphor in the resin. Visible region from 380 to 780 nm; height of graph corresponding with relative spectral emission (400mW/klm)per 10nm.



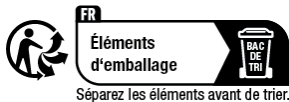
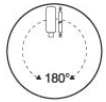
daylight(D 65)

Particularités

LED PAR16

RL PAR16 50 4,8W/230/WFL/865/GU10

Radium



Notices explicatives générales

For LED replacement of halogen and incandescent lamps, we recommend direct replacement (1: 1) at the respective burning position. For new systems, the number of lamps in the circuit operated at control gear such as transformers or dimmers can be obtained from corresponding compatibility lists (if available). If there is no specification for the type of device or lamp required, for safety reasons, the replacement power shall be assumed as that of the original halogen type (eg "RL-MR16 35" -> 35W, independent of the real power consumption).

The technical design data in accordance with DIN and IEC. The producer does not take any responsibility for damage to persons or property in case of unsuitable operation or handling of the product. Operating data and dimensions are valid within the usual tolerances. Related lamp types (different bases, mains voltages) may be available on request. Sale and delivery are effected in accordance with the Radium Terms of Delivery and Payment valid on the day of conclusion of contract. Packing units offer economical advantages to the purchase and logistic department. Please match your quantity volume accordingly. For orders of a minimum quantity (clefts) with a lamp model the amount lower than the volume of each packaging unit, we will invoice 10 % additional charge per lamp type. Technical changes and terms of delivery are reserved. Manipulation of any kind to packaging or product is not permissible as this will violate Radium brand rights. Furthermore, technical properties of the product can change to its disadvantage or even destruction. Therefore, Radium cannot be responsible for consequential damages.

® = Registered trademark

Subject to change without notice. Errors and omissions excepted.

Consignes de sécurité

To ensure full light efficiency and product life, the permissible temperature ranges must be observed and dry environment ensured. When operated with existing control gear, their compatibility with the lamp must be checked.

All technical data without guarantee.