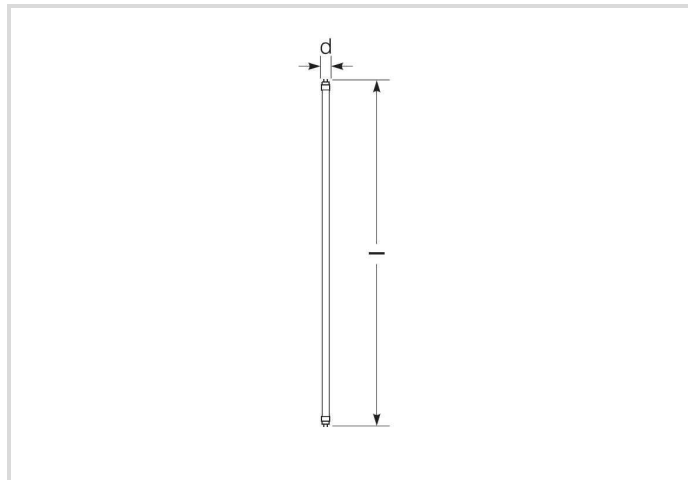


LED T8-RetroFit

RL-T8 18 S 8,7W/840/G13

Radium

Product Datasheet Date: 30.05.2026



A+



C



1100



4000K



50 000h

General Data

Code Radium	42918014
Désignation	RL-T8 18 S 8,7W/840/G13
EAN 10 (unité)	4008597180149
Unité de transport (pièces)	25
EAN 40 (carton)	4008597480140
Poids brut du carton en kg	3.714
Longueur box in m	0.73
Largeur du carton en m	0.17
Hauteur du carton en m	0.18
Product weight	100 g
Product status	● Inactif

Electric Parameters

Wattage	8.7 W
Weighted energy consumption in 1000 hours	9 kWh
Lamp power	8.7-8.7 W
Power factor	> 0,9
Nominal voltage	220-240 V

Electric Parameters

Voltage type	AC
Nominal current	8.7-8.7 mA
max. no. of lamps at 10A-B10 automatic fuse	170
max. no. of lamps at 16A-B16 automatic fuse	270
dimnable	Non

Light Application Parameters

Rated lamp luminous flux	1100 lm
Luminous flux in 90°-sector	1100 lm
Beam angle	160 °
Efficacy / Luminous efficiency	126.44 lm/W
Total mains efficacy	126.44 lm/W
Color temperature	4000 K
Color rendering index	> 80
Color Stability	≤ 6 sdc _m

Service Life

Average life	50000 h
Mean service life	50000 h
No. switching cycles	200000

Specification

Energylabel notice	old label, no EPREL registration, no EU data sheet
Energylabel (G -> A)	C
Energylabel (E -> A++)	A+
Diameter	28 mm
Tube diameter	26 mm
Length	590 mm
Length	590 mm
Burning position	any
Mercury content	0.0 mg
Material	Glass
Photobiological safety according to EN 62471	RG0
Lamp shape	Tube, double-ended
Base	G13
Colour	White

LED T8-RetroFit

RL-T8 18 S 8,7W/840/G13

Radium

Notes on Operation

Degree of protection (IP)	IP20
Burning position	any
Mode of operation	CCG, 230V
Range of storage temperature	-20...+80 °C
Ambient temperatures	-20 ... +50°C
With movement sensor	Non

Information especially for EPREL

Energylabel notice	old label, no EPREL registration, no EU data sheet
Lighting technology	LED
Mains/Non mains connectable	MLS
Directional or non-directional light	NDLS
Color tunable light source	Non
Type of color temperature	SINGLE_VALUE
Displacement factor EPREL	0,7
Life factor EPREL	0.9
Lumen maintenance EPREL	0.96
Flicker	1.0
Stroboscopic effect	0.4

Notes

T8 tubular LED lamp for exchange with fluorescent lamps, neutral white light, plastic body, non-dim, base G13. Please, note installation instructions!

Please, refer to www.radium.de/recycling for notes on disposal of burned-out lamps as well as lamp breakage.

The "lifespan L70" described for LED lamps indicates the number of hours when the luminous flux has decreased to 70% of its initial value.

The optimal field 'info about service life' contains the frame conditions according to standards based on which the specific service life has been determined. So, for example, "12B50, 50Hz" means that the mean service life (B50) has been determined with a 12h switching cycle at mains (frequency 50Hz), "3B50, HF" is based on a 3h switching cycle at electronic control gear (high frequency).

Culot



G13
IEC/EN 60061-1
sheet 7004-51-8

Courbes spectrales

As daylight is a mixture of direct sunlight and light from the sky, the spectral distribution changes all the time due to the time of the day and the weather. The standard illuminant D65 corresponds to daylight with colour temperature of about 6500K.

The colour of coloured LEDs depends on the chemical elements within the light generating chip. The coloured light is generated directly and does not need filtering.

White LEDs are either RGB (red + green + blue chip in one LED = light colour white) or blue LED-chips with yellow/orange phosphor in the resin.

Visible region from 380 to 780 nm; height of graph corresponding with relative spectral emission (400mW/klm)per 10nm.

LED T8-RetroFit

RL-T8 18 S 8,7W/840/G13

Radium



LED retrofit tube lamps for fluorescent lamps 4000K



daylight(D 65)

Particularités



Notices explicatives générales

Please note the installation instructions when replacing fluorescent lamps with LED tubes. Some LED lamp types are only suitable for 1: 1 replacement at the respective burning position: with CCG by using the enclosed starter, with ECG with compatible control gear. Others can be operated directly on 230V (conversion of the luminaire), others again can 'do' CCG as well as 230V or all 3 variations. Neo tubes need an external LED driver (replacement of the control gear). LED Neo tubes are dimmable, all other LED tubes are not dimmable.

The technical design data in accordance with DIN and IEC. The producer does not take any responsibility for damage to persons or property in case of unsuitable operation or handling of the product. Operating data and dimensions are valid within the usual tolerances. Related lamp types (different bases, mains voltages) may be available on request. Sale and delivery are effected in accordance with the Radium Terms of Delivery and Payment valid on the day of conclusion of contract. Packing units offer economical advantages to the purchase and logistic department. Please match your quantity volume accordingly. For orders of a minimum quantity (clefs) with a lamp model the amount lower than the volume of each packaging unit, we will invoice 10 % additional charge per lamp type. Technical changes and terms of delivery are reserved. Manipulation of any kind to packaging or product is not permissible as this will violate Radium brand rights. Furthermore, technical properties of the product can change to its disadvantage or even destruction. Therefore, Radium cannot be responsible for consequential damages.

® = Registered trademark

Subject to change without notice. Errors and omissions excepted.

Consignes de sécurité

To ensure full light efficiency and product life, the permissible temperature ranges must be observed and dry environment ensured. When operated with existing control gear, their compatibility with the lamp must be checked.

All technical data without guarantee.