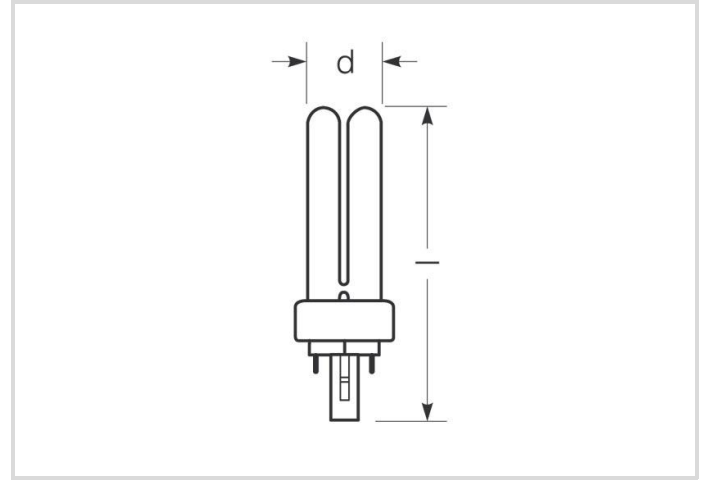


LED EssenceDuo - Retrofit f. Ralux Duo

RL-DUO18 840/G24D/G24Q-2

Radium

Product Datasheet Date: 18.06.2026



E



7



4000K



30 000h



3 YEARS
GUARANTEE

General Data

Article No.	43520623
Code	RL-DUO18 840/G24D/G24Q EM
Product EAN	4008597206238
Box quantity (pcs.)	10
EAN Box	4008597406232
Gross weight of box in kg	0.795
Length of box in m	0.218
Width of box in m	0.092
Height of box in m	0.171
Product weight	62 g
Product status	● Active

Electric Parameters

Wattage	7.0 W
Nominal power	7.0 W
Weighted energy consumption in 1000 hours	7 kWh
Lamp power	7.0 W
Nominal voltage	220-240 V

Electric Parameters

Voltage type	AC
Nominal current	34 mA
Nominal current (mA)	34 mA
Inrush current	15 A
max. no. of lamps at 10A-B10 automatic fuse	182
max. no. of lamps at 16A-B16 automatic fuse	290
dimnable	No

Light Application Parameters

Luminous flux	900 lm
Rated luminous flux according to IEC 62612	900 lm
Luminous flux	900 lm
Beam angle	280 °
Efficacy / Luminous efficiency	129 lm/W
Total mains efficacy	129 lm/W
Color temperature	4000 K
Color coordinate X	0.382
Color coordinate Y	0.380
Color rendering index	≥ 80
Color Stability	≤ 5 sdcn

Service Life

Average life	30000 h
Mean service life	30000
Lifetime L70B50	30000 h
Min. number of switching cycles	20000
Guarantee	3 years

Specification

Energylabel (G -> A)	E
Diameter	34 mm
Length	146 mm
Length	146 mm
Burning position	any
Photobiological safety according to EN 62471	RG0
Lamp shape	Tube, single-ended

Specification

Base	G24d
Material	Glass
Colour	White

Notes on Operation

IP Class (Room/Ceiling)	IP20
Burning position	any
Mode of operation	CCG, 230V
Ambient temperatures	-20 ... +45 °C
With movement sensor	No

Information especially for EPREL

Lighting technology	LED
Mains/Non mains connectable	MLS
Directional or non-directional light	NDLS
Color tunable light source	No
Type of color temperature	SINGLE_VALUE
Color stability MacAdams EPREL	5
Displacement factor EPREL	0,9
Life factor EPREL	0.9
Lumen maintenance EPREL	0.96
Flicker	1.0
Stroboscopic effect	0.4
EPREL ID number	2214087

Miscellaneous

Similar products	43520622
------------------	----------

Notes

LED compact lamp for replacement with Ralux Duo, neutral white light, glass bulb, not dimmable, fits in lamp holder for base G24d and G24q.

Please, refer to www.radium.de/recycling for notes on disposal of burned-out lamps as well as lamp breakage.

The "lifespan L70" described for LED lamps indicates the number of hours when the luminous flux has decreased to 70% of its initial value.

The optimal field 'info about service life' contains the frame conditions according to standards based on which the specific service life has been determined. So, for example, "12B50, 50Hz" means that the mean service life (B50) has been determined with a 12h switching cycle at mains (frequency 50Hz), "3B50, HF" is based on a 3h switching cycle at electronic control gear (high frequency).

Base

G24d

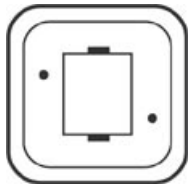
IEC/EN 60061-1

sheet 7004-78-5

LED EssenceDuo - Retrofit f. Ralux Duo

RL-DUO18 840/G24D/G24Q-2

Radium



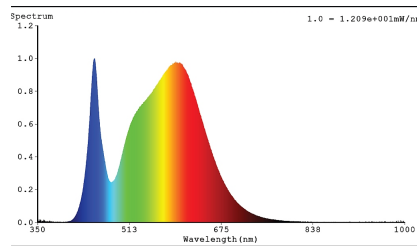
Spectrum

As daylight is a mixture of direct sunlight and light from the sky, the spectral distribution changes all the time due to the time of the day and the weather. The standard illuminant D65 corresponds to daylight with colour temperature of about 6500K.

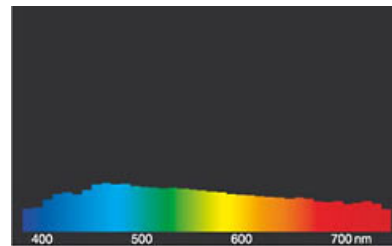
The colour of coloured LEDs depends on the chemical elements within the light generating chip. The coloured light is generated directly and does not need filtering.

White LEDs are either RGB (red + green + blue chip in one LED = light colour white) or blue LED-chips with yellow/orange phosphor in the resin.

Visible region from 380 to 780 nm; height of graph corresponding with relative spectral emission (400mW/klm)per 10nm.



LED retrofit lamps 4000K



daylight(D 65)

Special features



General notes

When replacing Ralux Duo with LED-lamps, we recommend a simple and uncomplicated replacement (1: 1) at the respective light point without rewiring. Operation at mains voltage directly would also be possible. RL-DUO lamps are not suitable for tandem operation. 35 ° C ambient temperature for the lamp inside the luminaire must not be exceeded. Outdoor use is only permitted with suitable luminaires (IP protection).

The technical design data in accordance with DIN and IEC. The producer does not take any responsibility for damage to persons or property in case of unsuitable operation or handling of the product. Operating data and dimensions are valid within the usual tolerances. Related lamp types (different bases, mains voltages) may be available on request. Sale and delivery are effected in accordance with the Radium Terms of Delivery and Payment valid on the day of conclusion of contract. Packing units offer economical advantages to the purchase and logistic department. Please match your quantity volume accordingly. For orders of a minimum quantity (clefs) with a lamp model the amount lower than the volume of each packaging unit, we will invoice 10 % additional charge per lamp type. Technical changes and terms of delivery are reserved. Manipulation of any kind to packaging or product is not permissible as this will violate Radium brand rights. Furthermore, technical properties of the product can change to its disadvantage or even destruction. Therefore, Radium cannot be responsible for consequential damages.

® = Registered trademark

Subject to change without notice. Errors and omissions excepted.

Safety instructions

To ensure full light efficiency and product life, the permissible temperature ranges must be observed and dry environment ensured. When operated with existing control gear, their compatibility with the lamp must be checked.

All technical data without guarantee.