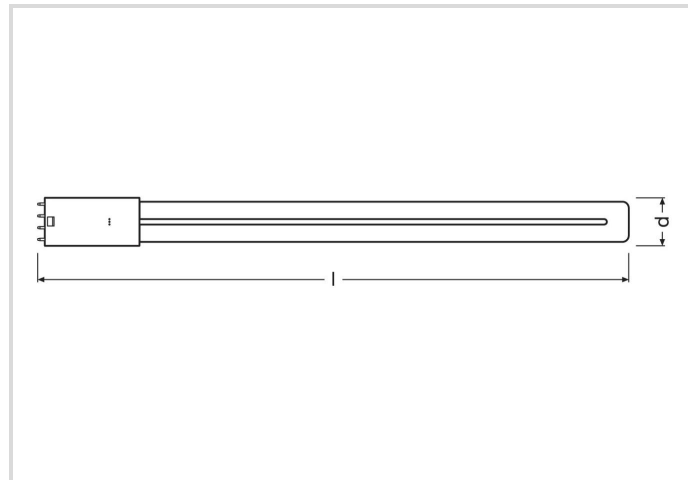
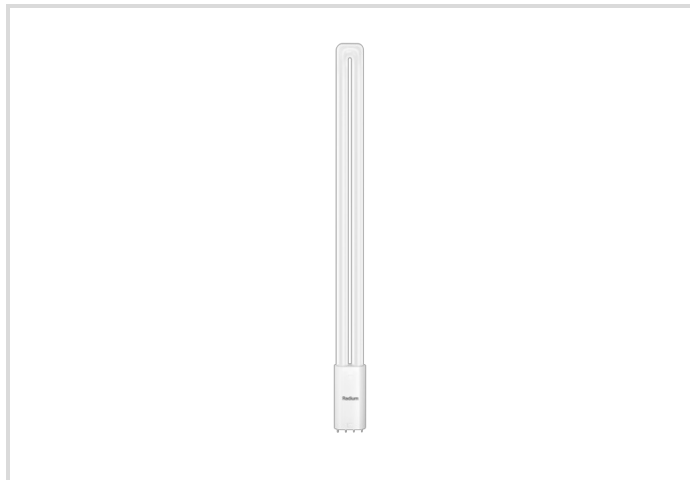


LED Essence Long - Retrofit for Ralux

RL-LONG55 840/2G11 UN

Radium

Product Datasheet Date: 04.05.2026



General Data

Article No.	43520575
Code	RL-LONG55 840/2G11 UN
Product EAN	4008597205750
Box quantity (pcs.)	10
EAN Box	4008597605758
Gross weight of box in kg	2.975
Length of box in m	0.604
Width of box in m	0.251
Height of box in m	0.079
Product weight	210 g
Product status	● Active

Electric Parameters

Wattage	25.0 W
Nominal power	25.0 W
Weighted energy consumption in 1000 hours	25 kWh
Lamp power	25.0-25.0 W
Power factor	> 0.9

Electric Parameters

Nominal voltage	220-240 V
Mains Voltage	220 - 240 V
Voltage type	AC
Nominal current	110-110 mA
Nominal current (mA)	110 mA
Inrush current	< 25 A
Total harmonic distortion	0.3
max. no. of lamps at 10A-B10 automatic fuse	80
max. no. of lamps at 16A-B16 automatic fuse	130
dimnable	No

Light Application Parameters

Luminous flux	3250 lm
Rated lamp luminous flux	3250 lm
Luminous flux	3250 lm
Beam angle	140 °
Efficacy	130 lm/W
Total mains efficacy	130 lm/W
Color temperature	4000 K
Color coordinate X	0,381
Color coordinate Y	0,379
Color rendering index	≥ 80
Color rendering index nominal	80
Color Stability	≤ 6 sdc _m

Service Life

Average life	30000 h
T _c Temperature max.	90 °C
Mean service life	30000 h
No. switching cycles	200000
Lamp survival factor at 6000h	≥ 0.90
Early failure rate at 1000h	≤ 5.0 %
Guarantee	3 years

Specification

Energylabel notice	current label, with EPREL registration
Energylabel (G -> A)	E
Diameter	44 mm
Length	537 mm
Length	537 mm
Burning position	any
Mercury content	0.0 mg
Photobiological safety according to EN 62471	RG0
Lamp shape	Tube, single-ended
Base	2G11
Colour	White

Notes on Operation

Degree of protection (IP)	IP20
Burning position	any
Mode of operation	ECG, 230V
suitable for tandem circuit	No
Ambient temperatures	-20 ... +50 °C
Tc Temperature max.	90 °C
With movement sensor	No

Information especially for EPREL

Energylabel notice	current label, with EPREL registration
Lighting technology	LED
Mains/Non mains connectable	MLS
Directional or non-directional light	NDLS
Color tunable light source	No
Type of color temperature	SINGLE_VALUE
Color stability MacAdams EPREL	6
Displacement factor EPREL	0,9
Life factor EPREL	0,9
Lumen maintenance EPREL	0,7
Flicker	1.0
Stroboscopic effect	0.4
EPREL ID number	541529

Miscellaneous

Similar products

31320390, 31320389

Notes

LED compact lamp for exchange with Ralux Long, neutral white light, glass bulb, non-dim, base 2G11.

Please, refer to www.radium.de/recycling for notes on disposal of burned-out lamps as well as lamp breakage.

The "lifespan L70" described for LED lamps indicates the number of hours when the luminous flux has decreased to 70% of its initial value.

The optimal field 'info about service life' contains the frame conditions according to standards based on which the specific service life has been determined. So, for example, "12B50, 50Hz" means that the mean service life (B50) has been determined with a 12h switching cycle at mains (frequency 50Hz), "3B50, HF" is based on a 3h switching cycle at electronic control gear (high frequency).

Base



2G11
IEC/EN 60061-1
sheet 7004-82-1

Spectrum

As daylight is a mixture of direct sunlight and light from the sky, the spectral distribution changes all the time due to the time of the day and the weather. The standard illuminant D65 corresponds to daylight with colour temperature of about 6500K.

The colour of coloured LEDs depends on the chemical elements within the light generating chip. The coloured light is generated directly and does not need filtering.

White LEDs are either RGB (red + green + blue chip in one LED = light colour white) or blue LED-chips with yellow/orange phosphor in the resin.

Visible region from 380 to 780 nm; height of graph corresponding with relative spectral emission (400mW/klm)per 10nm.



LED retrofit lamps 4000K



daylight(D 65)

Special features



General notes

When replacing Ralux Long with LED lamps, we recommend the simple and uncomplicated replacement (1: 1) at the respective light spot without rewiring (ECG remains in circuit). Please observe the compatibility list. Operation at mains voltage directly would also be possible. RL-Long lamps are not suitable for application with KVG or VVG, nor are they suitable for tandem operation. An ambient temperature of the lamp of 35 ° C inside the luminaire must not be exceeded. Outdoor use is only permitted with suitable luminaires (IP protection).

The technical design data in accordance with DIN and IEC. The producer does not take any responsibility for damage to persons or property in case of unsuitable operation or handling of the product. Operating data and dimensions are valid within the usual tolerances. Related lamp types (different bases, mains voltages) may be available on request. Sale and delivery are effected in accordance with the Radium Terms of Delivery and Payment valid on the day of conclusion of contract. Packing units offer economical advantages to the purchase and logistic department. Please match your quantity volume accordingly. For orders of a minimum quantity (clefts) with a lamp model the amount lower than the volume of each packaging unit, we will invoice 10 % additional charge per lamp type. Technical changes and terms of delivery are reserved. Manipulation of any kind to packaging or product is not permissible as this will violate Radium brand rights. Furthermore, technical properties of the product can change to its disadvantage or even destruction. Therefore, Radium cannot be responsible for consequential damages.

® = Registered trademark

LED Essence Long - Retrofit for Ralux

RL-LONG55 840/2G11 UN

Radium

Subject to change without notice. Errors and omissions excepted.

Safety instructions

To ensure full light efficiency and product life, the permissible temperature ranges must be observed and dry environment ensured. When operated with existing control gear, their compatibility with the lamp must be checked.

All technical data without guarantee.