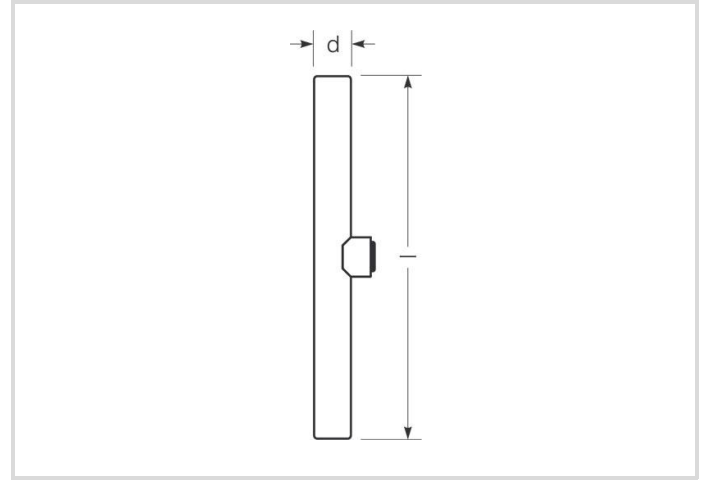


LED linear lamp, opal

RL-RAL1 35 DIM 4,5W/230/827/O/S14D

Radium

Product Datasheet Date: 03.06.2026



A



G



4,5



250



2700K



25 000h



Dimmable



General Data

Article No.	43514840
Code	RL-RAL1 35 DIM 827/O
Product EAN	4008597148224
Box quantity (pcs.)	10
EAN Box	4008597448225
Gross weight of box in kg	1.153
Length of box in m	0.368
Width of box in m	0.214
Height of box in m	0.148
Product weight	80 g
Product status	● Inactive

Electric Parameters

Wattage	4.5 W
Nominal power	4.5 W
Weighted energy consumption in 1000 hours	4,5 kWh
Lamp power	4.5-4.5 W
Power factor	≥ 0.9

Electric Parameters

Nominal voltage	220-240 V
Mains voltage	230 V
Voltage type	AC
Nominal current	23-23 mA
Nominal current (mA)	23 mA
max. no. of lamps at 10A-B10 automatic fuse	400
max. no. of lamps at 16A-B16 automatic fuse	500
dimnable	Yes

Light Application Parameters

Rated lamp luminous flux	250 lm
Luminous flux in 90°-sector	250 lm
Beam angle	200 °
Efficacy / Luminous efficiency	55,56 lm/W
Total mains efficacy	55.56 lm/W
Light colour	warmwhite
Color temperature	2700 K
Color rendering index	> 80
Color Stability	≤ 5 sdcn

Service Life

Average life	25000 h
Mean service life	25000 h
No. switching cycles	50000
Early failure rate at 1000h	≤5.0%
Guarantee	5 years

Specification

Energylabel notice	old label, no EPREL registration, no EU data sheet
Energylabel (G -> A)	G
Energylabel (E -> A++)	A
Diameter	29 mm
Length	300 mm
Length	300 mm
Mercury content	0.0 mg
Lamp shape	Linear

Specification

Base	S14d
Colour	White

Notes on Operation

Degree of protection (IP)	IP20
Ambient temperatures	-20...+40 °C
With movement sensor	No

Information especially for EPREL

Energylabel notice	old label, no EPREL registration, no EU data sheet
Lighting technology	LED
Life factor EPREL	0.9
Lumen maintenance EPREL	0.93
EPREL ID number	874225

Miscellaneous

Similar products	42814950
------------------	----------

Notes

RaLEDina, LED lamp for exchange with linear incandescent lamps, coated glass bulb, dimmable, base S14d. LED light does not contain UV or IR radiation.

Please, refer to www.radium.de/recycling for notes on disposal of burned-out lamps as well as lamp breakage.

The "lifespan L70" described for LED lamps indicates the number of hours when the luminous flux has decreased to 70% of its initial value.

The optimal field 'info about service life' contains the frame conditions according to standards based on which the specific service life has been determined. So, for example, "12B50, 50Hz" means that the mean service life (B50) has been determined with a 12h switching cycle at mains (frequency 50Hz), "3B50, HF" is based on a 3h switching cycle at electronic control gear (high frequency).

Base



S14d
IEC/EN 60061-1
sheet 7004-112-1

Spectrum

As daylight is a mixture of direct sunlight and light from the sky, the spectral distribution changes all the time due to the time of the day and the weather. The standard illuminant D65 corresponds to daylight with colour temperature of about 6500K.

The colour of coloured LEDs depends on the chemical elements within the light generating chip. The coloured light is generated directly and does not need filtering.

White LEDs are either RGB (red + green + blue chip in one LED = light colour white) or blue LED-chips with yellow/orange phosphor in the resin. Visible region from 380 to 780 nm; height of graph corresponding with relative spectral emission (400mW/klm)per 10nm.

LED linear lamp, opal

RL-RAL1 35 DIM 4,5W/230/827/O/S14D

Radium



RaLEDina: LED retrofit for Linear incandescent lamp 2700K



daylight(D 65)

Special features



General notes

For LED replacement of halogen and incandescent lamps, we recommend direct replacement (1: 1) at the respective burning position. For new systems, the number of lamps in the circuit operated at control gear such as transformers or dimmers can be obtained from corresponding compatibility lists (if available). If there is no specification for the type of device or lamp required, for safety reasons, the replacement power shall be assumed as that of the original halogen type (eg "RL-MR16 35" -> 35W, independent of the real power consumption).

The technical design data in accordance with DIN and IEC. The producer does not take any responsibility for damage to persons or property in case of unsuitable operation or handling of the product. Operating data and dimensions are valid within the usual tolerances. Related lamp types (different bases, mains voltages) may be available on request. Sale and delivery are effected in accordance with the Radium Terms of Delivery and Payment valid on the day of conclusion of contract. Packing units offer economical advantages to the purchase and logistic department. Please match your quantity volume accordingly. For orders of a minimum quantity (clefs) with a lamp model the amount lower than the volume of each packaging unit, we will invoice 10 % additional charge per lamp type. Technical changes and terms of delivery are reserved. Manipulation of any kind to packaging or product is not permissible as this will violate Radium brand rights. Furthermore, technical properties of the product can change to its disadvantage or even destruction. Therefore, Radium cannot be responsible for consequential damages.

® = Registered trademark

Subject to change without notice. Errors and omissions excepted.

Safety instructions

To ensure full light efficiency and product life, the permissible temperature ranges must be observed and dry environment ensured. When operated with existing control gear, their compatibility with the lamp must be checked.

All technical data without guarantee.