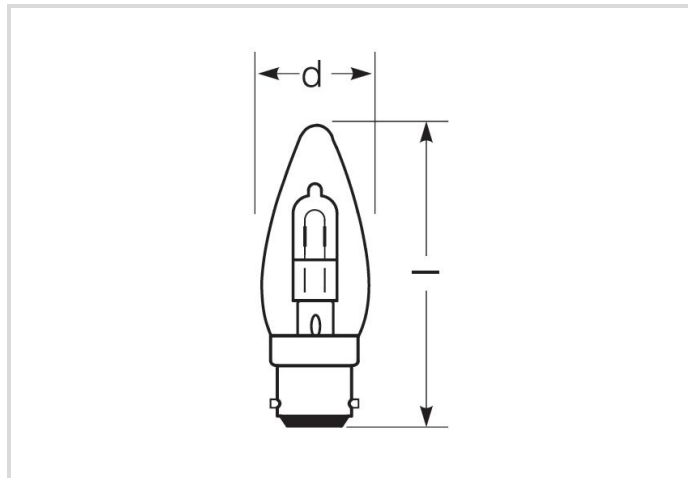


Halogen candle lamp, clear

RJH-C 30W/240/C/XE/B22D

Radium

Product Datasheet Date: 03.04.2026



D



G



405



2700K



2 000h



Dimmable

General Data

Article No.	22318047
Code	RJH-C 30W/240/C/XE/B22D
Product EAN	4008597180477
Box quantity (pcs.)	20
EAN Box	4008597480478
Gross weight of box in kg	0.64
Length of box in m	0.18
Width of box in m	0.15
Height of box in m	0.11
Product weight	18 g
Product status	● Inactive

Electric Parameters

Wattage	30.0 W
Power factor	1.00
Lamp voltage	230-240 V
Mains voltage	240 V
Lamp's nominal current	0.13 A

Electric Parameters

Nominal current (mA)	125 mA
dimnable	Yes

Light Application Parameters

Luminous flux	405 lm
Rated lamp luminous flux	405 lm
Efficacy	13.5 lm/W
Color temperature	2700 K
Color rendering index	100

Service Life

Average life	2000 h
No. switching cycles	50000

Specification

Energylabel notice	old label, no EPREL registration, no EU data sheet
Energylabel (G -> A)	G
Energylabel (E -> A++)	D
Diameter	35 mm
Length	104 mm
Total length max.	104 mm
Burning position	any
Mercury content	0.0 mg
Lamp shape	Candle
Model	Clear
Base	B22d

Notes on Operation

Burning position	any
------------------	-----

Information especially for EPREL

Energylabel notice	old label, no EPREL registration, no EU data sheet
--------------------	--

Miscellaneous

EU-date of phase-out	01.09.2018
----------------------	------------

Halogen candle lamp, clear
RJH-C 30W/240/C/XE/B22D

Radium

EU Directive

DIM1

Halogen candle lamp, clear

RJH-C 30W/240/C/XE/B22D

Radium

Notes

Mains voltage halogen candle lamp clear, 240V, base B22d, dimmable steplessly, 2000 h mean service life

Please, refer to www.radium.de/recycling for notes on disposal of burned-out lamps as well as lamp breakage.

The "lifespan L70" described for LED lamps indicates the number of hours when the luminous flux has decreased to 70% of its initial value.

The optimal field 'info about service life' contains the frame conditions according to standards based on which the specific service life has been determined. So, for example, "12B50, 50Hz" means that the mean service life (B50) has been determined with a 12h switching cycle at mains (frequency 50Hz), "3B50, HF" is based on a 3h switching cycle at electronic control gear (high frequency).

Base



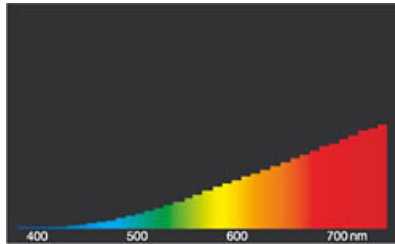
B22d
IEC/EN 60061-1
sheet 7004-10-7

Spectrum

As daylight is a mixture of direct sunlight and light from the sky, the spectral distribution changes all the time due to the time of the day and the weather. The standard illuminant D65 corresponds to daylight with colour temperature of about 6500K.

Incandescent lamps have got a continuous red-dominated spectrum as the light is generated by heating up a tungsten filament. The addition of halogens to the filling gas enhance the efficiency and prevents blackening. Further increase in efficiency can be achieved by adding Xenon and/or IRC-coating.

Visible region from 380 to 780 nm; height of graph corresponding with relative spectral emission (400mW/klm)per 10nm.



light of incandescent lamps



daylight(D 65)

Special features



General notes

The technical design data in accordance with DIN and IEC. The producer does not take any responsibility for damage to persons or property in case of unsuitable operation or handling of the product. Operating data and dimensions are valid within the usual tolerances. Related lamp types (different bases, mains voltages) may be available on request. Sale and delivery are effected in accordance with the Radium Terms of Delivery and Payment valid on the day of conclusion of contract. Packing units offer economical advantages to the purchase and logistic department. Please match your quantity volume accordingly. For orders of a minimum quantity (clefs) with a lamp model the amount lower than the volume of each packaging unit, we will invoice 10 % additional charge per lamp type. Technical changes and terms of delivery are reserved. Manipulation of any kind to packaging or product is not permissible as this will violate Radium brand rights. Furthermore, technical properties of the product can change to its disadvantage or even destruction. Therefore, Radium cannot be responsible for consequential damages.

® = Registered trademark

Subject to change without notice. Errors and omissions excepted.

All technical data without guarantee.