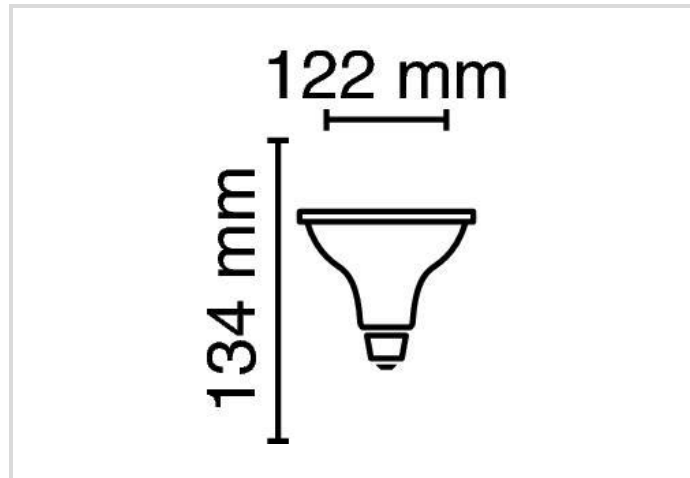


# LED Essence PAR38

120 827/30°/E27

# Radium

Product Datasheet Date: 20.05.2026



F



2700K



15 000h



4  
YEARS  
GUARANTEE

## General Data

Artikel Nr.	44120936
Bestellzeichen	RL-PAR38 120 827/30°/E27
EAN-Faltschachtel	4008597209369
Versandeinheit in Stk.	6
EAN Umkarton (Versandeinheit)	4008597409363
Brutto-Gewicht Versandeinheit in kg	2.18
Länge Versandeinheit in m	0.405
Breite Versandeinheit in m	0.275
Höhe Versandeinheit in m	0.2
Product weight	260 g
Produktstatus	<span style="color: green;">●</span> Aktiv

## Electric Parameters

Wattage	13.5 W
Weighted energy consumption in 1000 hours	14 kWh
Lamp power	13.5 W
Nominal voltage	220-240 V
Voltage type	AC

## Electric Parameters

Nominal current	68 mA
dimnable	Nein

## Light Application Parameters

Rated luminous flux according to IEC 62612	1035 lm
Luminous flux	1035 lm
Luminous intensity	2800 cd
Beam angle	30 °
Efficacy	90 lm/W
Total mains efficacy	90 lm/W
Color temperature	2700 K
Color coordinate X	0.458
Color coordinate Y	0.410
Color rendering index	≥ 90
Color Stability	≤ 6 sdc <sub>m</sub>

## Service Life

Average life	15000 h
Min. number of switching cycles	20000
Guarantee	4 years

## Specification

Energylabel (G -> A)	F
Diameter	122 mm
Length	134 mm
Length	134 mm
Burning position	any
Photobiological safety according to EN 62471	RG1
Lamp shape	Reflector
Base	E27
Colour	White

## Notes on Operation

Degree of protection (IP)	IP20
Burning position	any
Ambient temperatures	-20 ... +40 °C
With movement sensor	Nein

# LED Essence PAR38

120 827/30°/E27

# Radium

## Information especially for EPREL

Lighting technology	LED
Mains/Non mains connectable	MLS
Directional or non-directional light	DLS
Color tunable light source	Nein
Type of color temperature	SINGLE_VALUE
Life factor EPREL	0.9
Lumen maintenance EPREL	0.93
Flicker	1.0
EPREL ID number	2608465

## Notes

PAR38 LED for exchange with 230V reflector lamps, warm white light, 30° beam angle, not dimmable, glass bulb, base E27.

Please, refer to [www.radium.de/recycling](http://www.radium.de/recycling) for notes on disposal of burned-out lamps as well as lamp breakage.

The "lifespan L70" described for LED lamps indicates the number of hours when the luminous flux has decreased to 70% of its initial value.

The optimal field 'info about service life' contains the frame conditions according to standards based on which the specific service life has been determined. So, for example, "12B50, 50Hz" means that the mean service life (B50) has been determined with a 12h switching cycle at mains (frequency 50Hz), "3B50, HF" is based on a 3h switching cycle at electronic control gear (high frequency).

## Socketübersicht



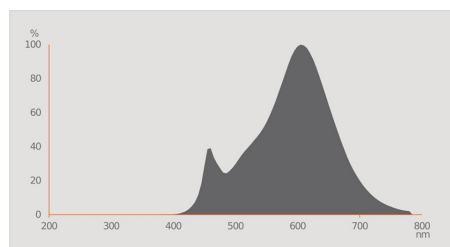
E27  
IEC/EN 60061-1  
sheet 7004-21-9

## Spektrale Strahlungsverteilung

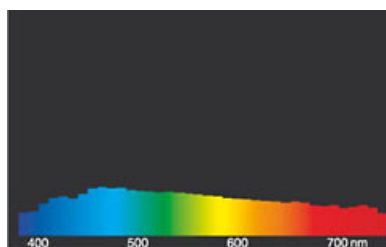
As daylight is a mixture of direct sunlight and light from the sky, the spectral distribution changes all the time due to the time of the day and the weather. The standard illuminant D65 corresponds to daylight with colour temperature of about 6500K.

The colour of coloured LEDs depends on the chemical elements within the light generating chip. The coloured light is generated directly and does not need filtering.

White LEDs are either RGB (red + green + blue chip in one LED = light colour white) or blue LED-chips with yellow/orange phosphor in the resin. Visible region from 380 to 780 nm; height of graph corresponding with relative spectral emission (400mW/klm)per 10nm.



LED-Retrofit-Lamps 2700K



daylight(D 65)

## Besonderheiten



# LED Essence PAR38

120 827/30°/E27

**Radium**

## Allgemeine Hinweise

For LED replacement of halogen and incandescent lamps, we recommend direct replacement (1: 1) at the respective burning position. For new systems, the number of lamps in the circuit operated at control gear such as transformers or dimmers can be obtained from corresponding compatibility lists (if available). If there is no specification for the type of device or lamp required, for safety reasons, the replacement power shall be assumed as that of the original halogen type (eg "RL-MR16 35" -> 35W, independent of the real power consumption).

The technical design data in accordance with DIN and IEC. The producer does not take any responsibility for damage to persons or property in case of unsuitable operation or handling of the product. Operating data and dimensions are valid within the usual tolerances. Related lamp types (different bases, mains voltages) may be available on request. Sale and delivery are effected in accordance with the Radium Terms of Delivery and Payment valid on the day of conclusion of contract. Packing units offer economical advantages to the purchase and logistic department. Please match your quantity volume accordingly. For orders of a minimum quantity (clefs) with a lamp model the amount lower than the volume of each packaging unit, we will invoice 10 % additional charge per lamp type. Technical changes and terms of delivery are reserved. Manipulation of any kind to packaging or product is not permissible as this will violate Radium brand rights. Furthermore, technical properties of the product can change to its disadvantage or even destruction. Therefore, Radium cannot be responsible for consequential damages.

® = Registered trademark

Subject to change without notice. Errors and omissions excepted.

## Sicherheitshinweise

To ensure full light efficiency and product life, the permissible temperature ranges must be observed and dry environment ensured. When operated with existing control gear, their compatibility with the lamp must be checked.

All technical data without guarantee.