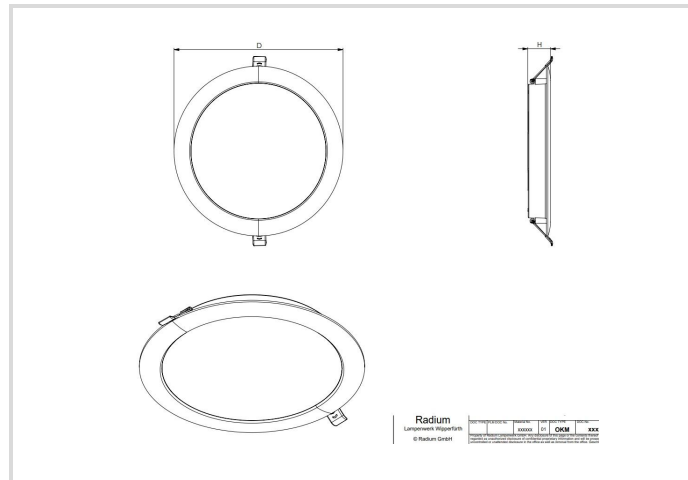


LED Downlight Essence IP54

195-205mm 22W/830 IP54

Radium

Product Datasheet Date: 20.05.2026



General Data

Artikel Nr.	DLEA5104
Bestellzeichen	DL E 195-205 22W/830 IP54
EAN-Faltschachtel	4003556015340
Versandeinheit in Stk.	24
EAN Umkarton (Versandeinheit)	4003556415348
Brutto-Gewicht Versandeinheit in kg	6.454
Länge Versandeinheit in m	0.466
Breite Versandeinheit in m	0.238
Höhe Versandeinheit in m	0.475
Product weight	180 g
Produktstatus	● Aktiv

Electric Parameters

Max. system power	22.0 W
Nominal voltage	220-240 V
Voltage type	AC
Nominal current	171 mA
Nominal current (mA)	171 mA

Electric Parameters

Number of poles	2
Inrush current	1 A
Mains frequency	50/60 Hz Hz
Dimming with push-button	Nein
Power Select	Nein

Light Application Parameters

Luminous flux adjustable	Nein
Luminous flux	2250 lm
Luminous flux	2250 lm
Beam angle adjustable	Nein
Beam angle	110 °
Unified Glare Ratio (UGR)	28
Efficacy	102 lm/W
Total mains efficacy	102 lm/W
Colour of light adjustable	Nein
CCT Switch	Nein
Colour of light	White
Color temperature	3000 K
Color coordinate X	0.434
Color coordinate Y	0.403
Color rendering index	≥ 80
Color Stability	≤ 6 sdcn
Light sharing	Symmetric
With light sensor	Nein

Service Life

Lifetime L70B50	30000 h
Life L80B10	30000 h
No. switching cycles	≥ 50 000
Guarantee	3

Specification

Diameter	223 mm
Length	223 mm
Height/depth	30 mm

LED Downlight Essence IP54

195-205mm 22W/830 IP54

Radium

Specification

Width	223 mm
Cable Length	0.1 m
Material	PC/ PS
Impact strength	IK03
Photobiological safety according to EN 62471	RG0
With light source	Ja
Exchangeable control gear	Nein

Notes on Operation

Degree of protection (IP)	IP54
Connection type	Other
Type of wiring	Ending
Max. number of luminaires per B10 circuit breaker	45
Max. number of luminaires per B16 circuit breaker	71
Ambient temperatures	-20...+40 °C
Luminaire with limited surface temperature, sign "D" according to EN 60598-2-24	Nein
Filament test according to IEC 60695-2-11	650 °C - 30 s
Type of control gear	LED operating device voltage-controlled
With light sensor	Nein
With movement sensor	Nein
Emergency power supply integrated	Nein

Information especially for EPREL

Lighting technology	LED
Mains/Non mains connectable	MLS
Directional or non-directional light	DLS
Color tunable light source	Nein
Type of color temperature	SINGLE_VALUE
Flicker	1.0
Stroboscopic effect	0.4
EPREL ID number	2677094

Notes

Flat LED downlight IP54 for surface/recessed mounting and various ceiling cutouts, Power Select, uniform light emission.

Please, refer to www.radium.de/recycling for notes on disposal of burned-out lamps as well as lamp breakage.

The "lifespan L70" described for LED lamps indicates the number of hours when the luminous flux has decreased to 70% of its initial value.

The optimal field 'info about service life' contains the frame conditions according to standards based on which the specific service life has been determined. So, for example, "12B50, 50Hz" means that the mean service life (B50) has been determined with a 12h switching cycle at mains (frequency 50Hz), "3B50, HF" is based on a 3h switching cycle at electronic control gear (high frequency).

LED Downlight Essence IP54

195-205mm 22W/830 IP54

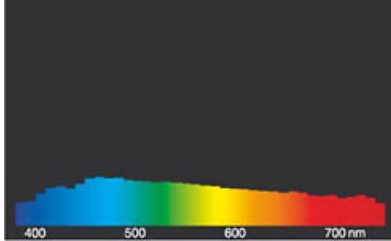
Radium

Spektrale Strahlungsverteilung

As daylight is a mixture of direct sunlight and light from the sky, the spectral distribution changes all the time due to the time of the day and the weather. The standard illuminant D65 corresponds to daylight with colour temperature of about 6500K.

The colour of coloured LEDs depends on the chemical elements within the light generating chip. The coloured light is generated directly and does not need filtering.

White LEDs are either RGB (red + green + blue chip in one LED = light colour white) or blue LED-chips with yellow/orange phosphor in the resin. Visible region from 380 to 780 nm; height of graph corresponding with relative spectral emission (400mW/klm)per 10nm.



daylight(D 65)

Besonderheiten



Allgemeine Hinweise

The technical design data in accordance with DIN and IEC. The producer does not take any responsibility for damage to persons or property in case of unsuitable operation or handling of the product. Operating data and dimensions are valid within the usual tolerances. Related lamp types (different bases, mains voltages) may be available on request. Sale and delivery are effected in accordance with the Radium Terms of Delivery and Payment valid on the day of conclusion of contract. Packing units offer economical advantages to the purchase and logistic department. Please match your quantity volume accordingly. For orders of a minimum quantity (clefts) with a lamp model the amount lower than the volume of each packaging unit, we will invoice 10 % additional charge per lamp type. Technical changes and terms of delivery are reserved. Manipulation of any kind to packaging or product is not permissible as this will violate Radium brand rights. Furthermore, technical properties of the product can change to its disadvantage or even destruction. Therefore, Radium cannot be responsible for consequential damages.

® = Registered trademark

Subject to change without notice. Errors and omissions excepted.

All technical data without guarantee.