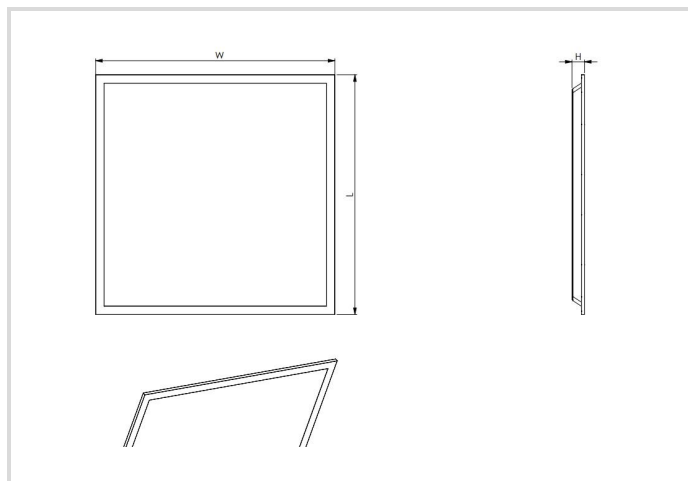


# LED Grid Luminaire Essence, Panel 625

33W/830 IP40

# Radium

Product Datasheet Date: 20.05.2026



3000K



## General Data

Artikel Nr.	PNLA5073
Bestellzeichen	PL E 625 33W/830 IP40
EAN-Faltschachtel	4003556015036
Versandeinheit in Stk.	6
EAN Umkarton (Versandeinheit)	4003556415034
Brutto-Gewicht Versandeinheit in kg	11.64
Länge Versandeinheit in m	0.68
Breite Versandeinheit in m	0.24
Höhe Versandeinheit in m	0.643
Product weight	1430 g
Produktstatus	<span style="color: green;">●</span> Aktiv

## Electric Parameters

Max. system power	33.0 W
Nominal voltage	220-240 V
Voltage type	AC
Nominal current	167 mA
Nominal current (mA)	167 mA

## Electric Parameters

Number of poles	2
Inrush current	25.4 A
Mains frequency	50/60 Hz Hz
Dimming with push-button	Nein

## Light Application Parameters

Luminous flux adjustable	Nein
Luminous flux	3700 lm
Rated luminous flux according to IEC 62722-2-1	3700 lm
Beam angle adjustable	Nein
Beam angle	110 °
Unified Glare Ratio (UGR)	22
Efficacy	112 lm/W
Total mains efficacy	112 lm/W
Colour of light adjustable	Nein
CCT Switch	Nein
Colour of light	White
Color temperature	3000 K
Color coordinate X	0.434
Color coordinate Y	0.403
Color rendering index	≥ 80
Color Stability	≤ 3 sdc <sub>m</sub>
Light sharing	Symmetric
With light sensor	Nein

## Service Life

Lifetime L70B50	50000 h
Life L80B10	50000 h
No. switching cycles	≥ 100.000
Guarantee	3

## Specification

Length	620 mm
Height/depth	33 mm
Width	620 mm
Material	Steel sheet/ PS

## Specification

Impact strength	IK02
Photobiological safety according to EN 62471	RG0
With light source	Ja
Exchangeable control gear	Nein

## Notes on Operation

Degree of protection (IP)	IP40
Connection type	Push-in clamp
Type of wiring	Ending
Max. number of luminaires per B10 circuit breaker	22
Max. number of luminaires per B16 circuit breaker	35
Luminaire with limited surface temperature, sign "D" according to EN 60598-2-24	Nein
Filament test according to IEC 60695-2-11	650 °C - 30 s
Type of control gear	LED operating device voltage-controlled
With light sensor	Nein
With movement sensor	Nein
Suitable for emergency lighting	Nein
Emergency power supply integrated	Nein

## Information especially for EPREL

Contains a lightsource of energy efficiency class	D
Mains/Non mains connectable	MLS
Directional or non-directional light	NDLS
Color tunable light source	Nein
Type of color temperature	SINGLE_VALUE
Flickering value Pst LM	1
Stroboscope effect value SVM	0.4
EPREL ID number	2654155

## Notes

Flat IP40 LED retrofit panel 625x625 mm, 33W with integrated LED driver, low glare, light color 3000K

Please, refer to [www.radium.de/recycling](http://www.radium.de/recycling) for notes on disposal of burned-out lamps as well as lamp breakage.

The "lifespan L70" described for LED lamps indicates the number of hours when the luminous flux has decreased to 70% of its initial value.

The optimal field 'info about service life' contains the frame conditions according to standards based on which the specific service life has been determined. So, for example, "12B50, 50Hz" means that the mean service life (B50) has been determined with a 12h switching cycle at mains (frequency 50Hz), "3B50, HF" is based on a 3h switching cycle at electronic control gear (high frequency).

# LED Grid Luminaire Essence, Panel 625

33W/830 IP40

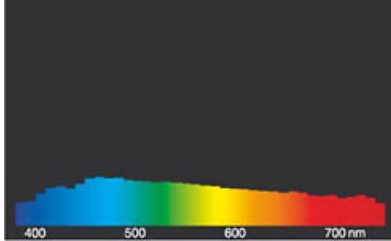
# Radium

## Spektrale Strahlungsverteilung

As daylight is a mixture of direct sunlight and light from the sky, the spectral distribution changes all the time due to the time of the day and the weather. The standard illuminant D65 corresponds to daylight with colour temperature of about 6500K.

The colour of coloured LEDs depends on the chemical elements within the light generating chip. The coloured light is generated directly and does not need filtering.

White LEDs are either RGB (red + green + blue chip in one LED = light colour white) or blue LED-chips with yellow/orange phosphor in the resin. Visible region from 380 to 780 nm; height of graph corresponding with relative spectral emission (400mW/klm)per 10nm.



daylight(D 65)

## Besonderheiten



## Allgemeine Hinweise

The technical design data in accordance with DIN and IEC. The producer does not take any responsibility for damage to persons or property in case of unsuitable operation or handling of the product. Operating data and dimensions are valid within the usual tolerances. Related lamp types (different bases, mains voltages) may be available on request. Sale and delivery are effected in accordance with the Radium Terms of Delivery and Payment valid on the day of conclusion of contract. Packing units offer economical advantages to the purchase and logistic department. Please match your quantity volume accordingly. For orders of a minimum quantity (clefts) with a lamp model the amount lower than the volume of each packaging unit, we will invoice 10 % additional charge per lamp type. Technical changes and terms of delivery are reserved. Manipulation of any kind to packaging or product is not permissible as this will violate Radium brand rights. Furthermore, technical properties of the product can change to its disadvantage or even destruction. Therefore, Radium cannot be responsible for consequential damages.

® = Registered trademark

Subject to change without notice. Errors and omissions excepted.

All technical data without guarantee.