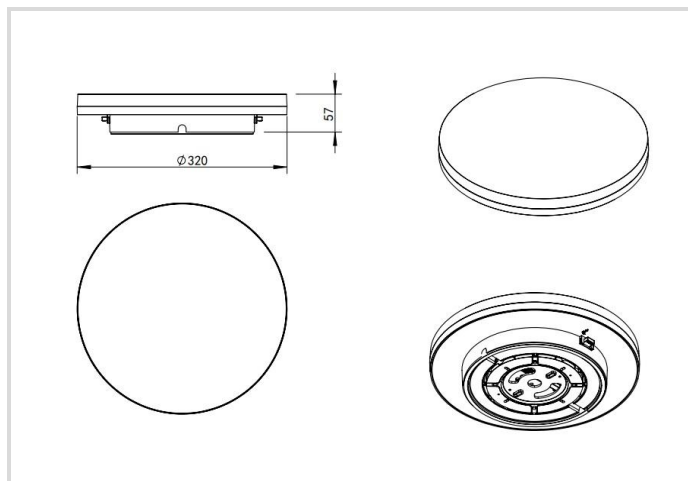


LED Surface Luminaire Star IP54 SENSOR

Surface S 320mm 20W PS CCT

Radium

Product Datasheet Date: 20.05.2026



30006000K

General Data

| | |
|-------------------------------------|--|
| Artikel Nr. | SFSA5127 |
| Bestellzeichen | SF S 320 20W PS CCT IP54 SENSOR |
| EAN-Faltschachtel | 4003556015548 |
| Versandeinheit in Stk. | 10 |
| EAN Umkarton (Versandeinheit) | 4003556415546 |
| Brutto-Gewicht Versandeinheit in kg | 13.53 |
| Länge Versandeinheit in m | 0.685 |
| Breite Versandeinheit in m | 0.365 |
| Höhe Versandeinheit in m | 0.355 |
| Product weight | 1070 g |
| Produktstatus | ● Aktiv |

Electric Parameters

| | |
|----------------------|------------|
| Max. system power | 20.0 W |
| Nominal voltage | 220-240 V |
| Voltage type | AC |
| Nominal current | 280-280 mA |
| Nominal current (mA) | 280 mA |

LED Surface Luminaire Star IP54 SENSOR

Surface S 320mm 20W PS CCT

Radium

Electric Parameters

| | |
|--------------------------|-------------|
| Inrush current | 22 A |
| Mains frequency | 50/60 Hz Hz |
| dimmable | Nein |
| Dimming with push-button | Nein |

Light Application Parameters

| | |
|--|----------------------|
| Luminous flux adjustable | Positions |
| Luminous flux | 2400 lm |
| Rated luminous flux according to IEC 62722-2-1 | 2400 lm |
| Luminous flux @3000K | 1140-2280 lm |
| Luminous flux @4000K | 1200-2400 lm |
| Luminous flux Q 6000/6500K | 1200-2400 lm |
| Beam angle adjustable | Nein |
| Beam angle | 110 ° |
| Unified Glare Ratio (UGR) | 25 |
| Efficacy | 120 lm/W |
| Total mains efficacy | 120 lm/W |
| Colour of light adjustable | Positions |
| CCT Switch | Nein |
| Colour of light | White |
| Color temperature | 3000 / 4000 / 6000 K |
| Color coordinate X | 0.367 |
| Color coordinate Y | 0.361 |
| Color rendering index | ≥ 90 |
| Color Stability | ≤ 5 sdc _m |
| With light sensor | Ja |

Service Life

| | |
|----------------------|----------|
| Lifetime L70B50 | 70000 h |
| Life L80B10 | 70000 h |
| No. switching cycles | ≥ 10.000 |
| Guarantee | 5 |

Specification

| | |
|----------|--------|
| Diameter | 320 mm |
| Length | 320 mm |

LED Surface Luminaire Star IP54 SENSOR

Surface S 320mm 20W PS CCT

Radium

Specification

| | |
|--|--------|
| Height/depth | 57 mm |
| Width | 320 mm |
| Material | PC |
| Impact strength | IK10 |
| Photobiological safety according to EN 62471 | RG0 |
| With light source | Ja |
| Exchangeable control gear | Ja |

Notes on Operation

| | |
|---|---|
| Degree of protection (IP) | IP54 |
| Connection type | Push-in clamp |
| Type of wiring | Suitable for through wiring |
| Max. number of luminaires per B10 circuit breaker | 36 |
| Max. number of luminaires per B16 circuit breaker | 58 |
| Ambient temperatures | -20 ... +40 °C |
| Filament test according to IEC 60695-2-11 | 850 °C - 30 s |
| Type of control gear | LED operating device voltage-controlled |
| With light sensor | Ja |
| With movement sensor | Ja |
| Suitable for emergency lighting | Nein |
| Emergency power supply integrated | Nein |

Information especially for EPREL

| | |
|---|---------|
| Contains a lightsource of energy efficiency class | E |
| Mains/Non mains connectable | MLS |
| Directional or non-directional light | NDLS |
| Color tunable light source | Ja |
| Type of color temperature | STEPS |
| Color rendering index R9 | 86 |
| Flickering value Pst LM | 1 |
| Stroboscope effect value SVM | 0.4 |
| EPREL ID number | 2554272 |

LED Surface Luminaire Star IP54 SENSOR

Surface S 320mm 20W PS CCT

Radium

Notes

High-efficient, universal LED wall and ceiling luminaire IP54, integrated LED driver with power select and sensor, adjustable light color (steps)

Please, refer to www.radium.de/recycling for notes on disposal of burned-out lamps as well as lamp breakage.

The "lifespan L70" described for LED lamps indicates the number of hours when the luminous flux has decreased to 70% of its initial value.

The optimal field 'info about service life' contains the frame conditions according to standards based on which the specific service life has been determined. So, for example, "12B50, 50Hz" means that the mean service life (B50) has been determined with a 12h switching cycle at mains (frequency 50Hz), "3B50, HF" is based on a 3h switching cycle at electronic control gear (high frequency).

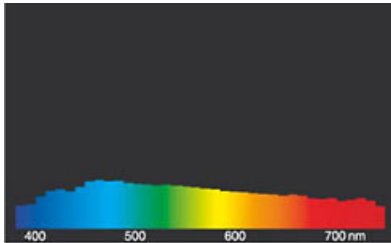
Spektrale Strahlungsverteilung

As daylight is a mixture of direct sunlight and light from the sky, the spectral distribution changes all the time due to the time of the day and the weather. The standard illuminant D65 corresponds to daylight with colour temperature of about 6500K.

The colour of coloured LEDs depends on the chemical elements within the light generating chip. The coloured light is generated directly and does not need filtering.

White LEDs are either RGB (red + green + blue chip in one LED = light colour white) or blue LED-chips with yellow/orange phosphor in the resin.

Visible region from 380 to 780 nm; height of graph corresponding with relative spectral emission (400mW/klm)per 10nm.



daylight(D 65)

Besonderheiten



Allgemeine Hinweise

The technical design data in accordance with DIN and IEC. The producer does not take any responsibility for damage to persons or property in case of unsuitable operation or handling of the product. Operating data and dimensions are valid within the usual tolerances. Related lamp types (different bases, mains voltages) may be available on request. Sale and delivery are effected in accordance with the Radium Terms of Delivery and Payment valid on the day of conclusion of contract. Packing units offer economical advantages to the purchase and logistic department. Please match your quantity volume accordingly. For orders of a minimum quantity (clefts) with a lamp model the amount lower than the volume of each packaging unit, we will invoice 10 % additional charge per lamp type. Technical changes and terms of delivery are reserved. Manipulation of any kind to packaging or product is not permissible as this will violate Radium brand rights. Furthermore, technical properties of the product can change to its disadvantage or even destruction. Therefore, Radium cannot be responsible for consequential damages.

® = Registered trademark

Subject to change without notice. Errors and omissions excepted.

All technical data without guarantee.