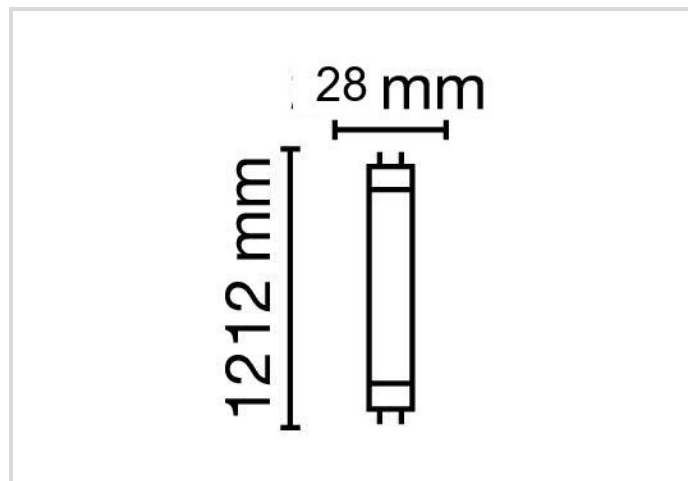


# LED Essence Tube High Output

RL-T8 36 HO 840/G13 EM

# Radium

Product Datasheet Date: 20.05.2026



D



4000K



50 000h



3  
YEARS  
GUARANTEE

## General Data

Artikel Nr.	43825066
Bestellzeichen	RL-T8 36 HO 840/G13 EM
EAN-Faltschachtel	4008597250668
Versandeinheit in Stk.	20
EAN Umkarton (Versandeinheit)	4008597450662
Brutto-Gewicht Versandeinheit in kg	5.58
Länge Versandeinheit in m	1.285
Breite Versandeinheit in m	0.185
Höhe Versandeinheit in m	0.14
Product weight	182 g
Produktstatus	<span style="color: green;">●</span> Aktiv

## Electric Parameters

Wattage	14.6 W
Weighted energy consumption in 1000 hours	15 kWh
Lamp power	14.6 W
Nominal voltage	220-240 V
Voltage type	AC

## Electric Parameters

Nominal current	88 mA
Nominal current (mA)	88 mA
Inrush current	12 A
max. no. of lamps at 10A-B10 automatic fuse	8
max. no. of lamps at 16A-B16 automatic fuse	13
dimnable	Nein

## Light Application Parameters

Rated luminous flux according to IEC 62612	2200 lm
Luminous flux	2200 lm
Beam angle	180 °
Efficacy	150 lm/W
Total mains efficacy	150 lm/W
Color temperature	4000 K
Color coordinate X	0.382
Color coordinate Y	0.380
Color rendering index	≥ 80
Color Stability	≤ 6 sdc <sub>m</sub>

## Service Life

Average life	50000 h
Min. number of switching cycles	20000
Guarantee	3 years

## Specification

Energylabel (G -> A)	D
Diameter	28 mm
Length max.	1200 mm
Length	1200 mm
Photobiological safety according to EN 62471	RG0
Lamp shape	Tube, double-ended
Base	G13
Colour	White

## Notes on Operation

Degree of protection (IP)	IP20
Mode of operation	CCG, 230V

## Notes on Operation

With movement sensor	Nein
----------------------	------

## Information especially for EPREL

Lighting technology	LED
Color tunable light source	Nein
Life factor EPREL	0.9
Lumen maintenance EPREL	0.98
EPREL ID number	2597593

## Notes

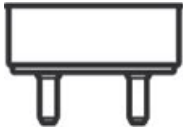
T8 tubular LED lamp for exchange with fluorescent lamps, neutral white light, glass bulb, non-dim, base G13. Please, note installation instructions!

Please, refer to [www.radium.de/recycling](http://www.radium.de/recycling) for notes on disposal of burned-out lamps as well as lamp breakage.

The "lifespan L70" described for LED lamps indicates the number of hours when the luminous flux has decreased to 70% of its initial value.

The optimal field 'info about service life' contains the frame conditions according to standards based on which the specific service life has been determined. So, for example, "12B50, 50Hz" means that the mean service life (B50) has been determined with a 12h switching cycle at mains (frequency 50Hz), "3B50, HF" is based on a 3h switching cycle at electronic control gear (high frequency).

### Socketübersicht



G13  
IEC/EN 60061-1  
sheet 7004-51-8

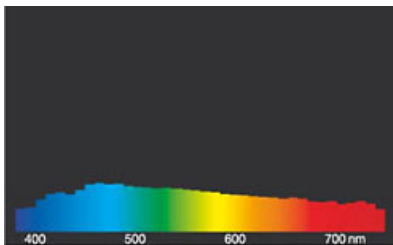
### Spektrale Strahlungsverteilung

As daylight is a mixture of direct sunlight and light from the sky, the spectral distribution changes all the time due to the time of the day and the weather. The standard illuminant D65 corresponds to daylight with colour temperature of about 6500K.

The colour of coloured LEDs depends on the chemical elements within the light generating chip. The coloured light is generated directly and does not need filtering.

White LEDs are either RGB (red + green + blue chip in one LED = light colour white) or blue LED-chips with yellow/orange phosphor in the resin.

Visible region from 380 to 780 nm; height of graph corresponding with relative spectral emission (400mW/klm)per 10nm.



daylight(D 65)

### Besonderheiten



### Allgemeine Hinweise

Please note the installation instructions when replacing fluorescent lamps with LED tubes. Some LED lamp types are only suitable for 1: 1

# LED Essence Tube High Output

RL-T8 36 HO 840/G13 EM

# Radium

replacement at the respective burning position: with CCG by using the enclosed starter, with ECG with compatible control gear. Others can be operated directly on 230V (conversion of the luminaire), others again can 'do' CCG as well as 230V or all 3 variations. Neo tubes need an external LED driver (replacement of the control gear). LED Neo tubes are dimmable, all other LED tubes are not dimmable.

The technical design data in accordance with DIN and IEC. The producer does not take any responsibility for damage to persons or property in case of unsuitable operation or handling of the product. Operating data and dimensions are valid within the usual tolerances. Related lamp types (different bases, mains voltages) may be available on request. Sale and delivery are effected in accordance with the Radium Terms of Delivery and Payment valid on the day of conclusion of contract. Packing units offer economical advantages to the purchase and logistic department. Please match your quantity volume accordingly. For orders of a minimum quantity (clefs) with a lamp model the amount lower than the volume of each packaging unit, we will invoice 10 % additional charge per lamp type. Technical changes and terms of delivery are reserved. Manipulation of any kind to packaging or product is not permissible as this will violate Radium brand rights. Furthermore, technical properties of the product can change to its disadvantage or even destruction. Therefore, Radium cannot be responsible for consequential damages.

® = Registered trademark

Subject to change without notice. Errors and omissions excepted.

## Sicherheitshinweise

To ensure full light efficiency and product life, the permissible temperature ranges must be observed and dry environment ensured. When operated with existing control gear, their compatibility with the lamp must be checked.

**All technical data without guarantee.**